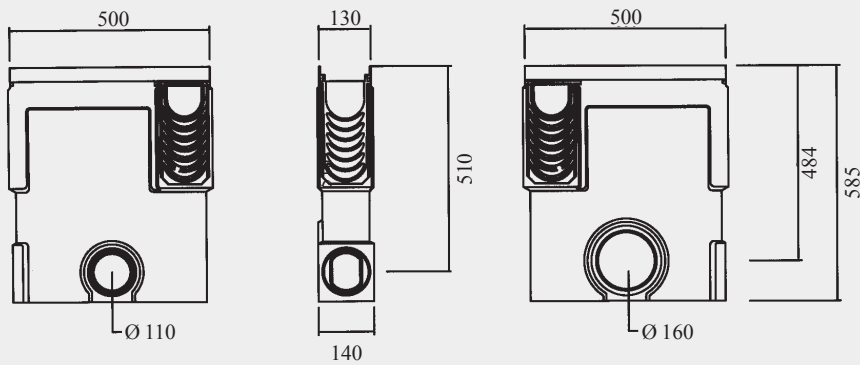


In-line Catch Basin Z 1000. EK



Description and size

- ◆ Polymer concrete based on polyester resin
- ◆ Integrated galvanized steel edge protection
- ◆ Trash bucket included
- ◆ Suitable for installation of MEADRAIN Top 1000 grating covers with CLIPFIX boltless locking system or standard locking mechanisms
- ◆ Pre-formed knockouts for joining channel numbers 1000, 1005, 1010, 1015, 1020 and 1030
- ◆ Connection knockouts for outlet connector Ø 110 and Ø 160
- ◆ Connection facility for outlet corner and cross junction
- ◆ EDP-Number: 010155484
- ◆ Total height: 585 mm
- ◆ Total width: 140 mm
- ◆ Length: 500 mm
- ◆ Weight: 26.5 kg