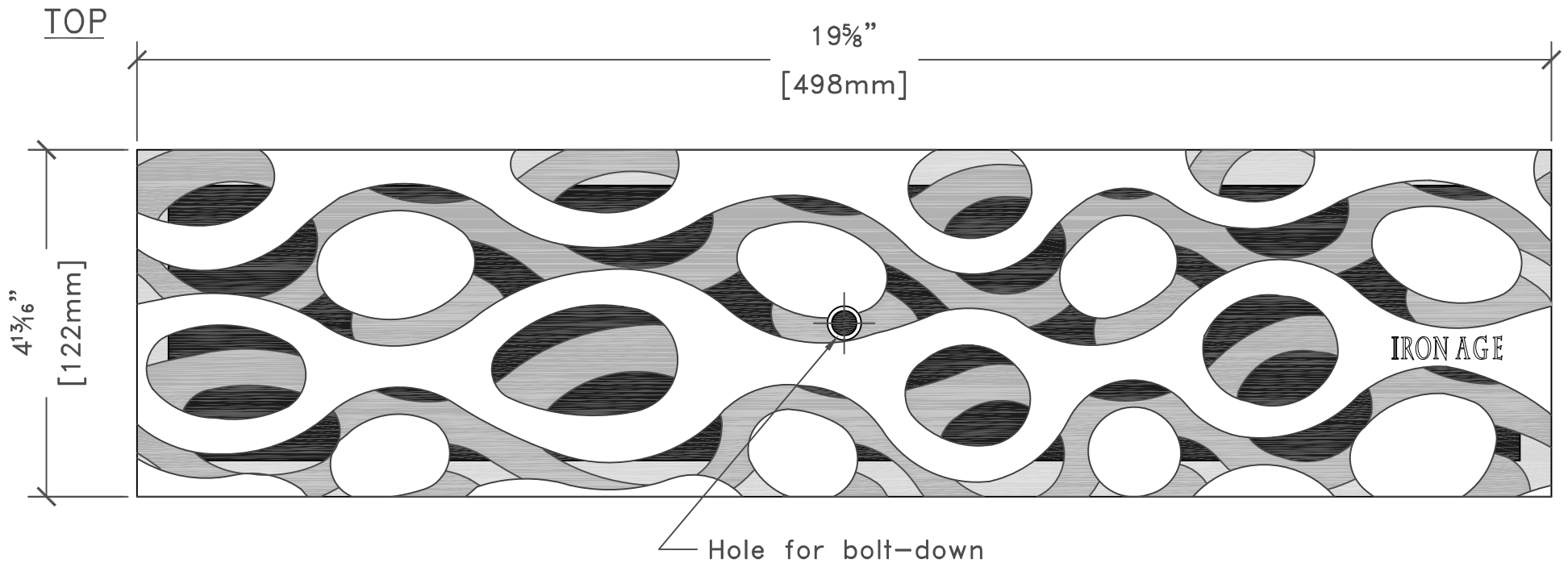
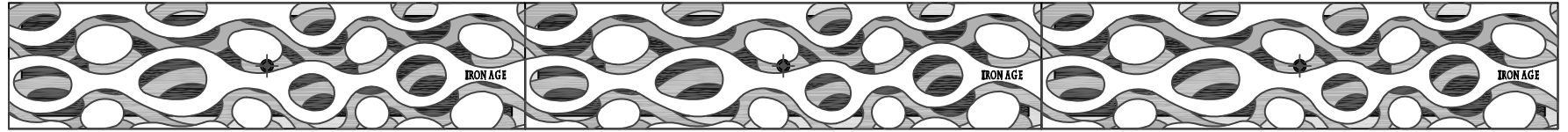


3 GRATES ARRAYED



NOTES:

1. Material: cast iron
2. Natural finish
3. Total thickness: $\frac{13}{16}$ "
4. Fits drain channels manufactured by:
5. No openings greater than $\frac{1}{2}$ "
6. Free Drain Area = 14.5%
7. Due to casting inconsistencies, all dimensions are nominal.



IRON AGE
DESIGNS

2104 SW 152nd St #4 TEL 206.276.0925
Burien, WA 98166 FAX 206.257.0318
www.ironagegrates.com

Janis 5"x20" Trench Grate

drawing no. JAN.A.05x20

drawn by: CD
scale: NTS
date: 01/01/09

MEA® 1000 Series

Registration Number:
VA 2-007-078

© 2009 Iron Age Designs