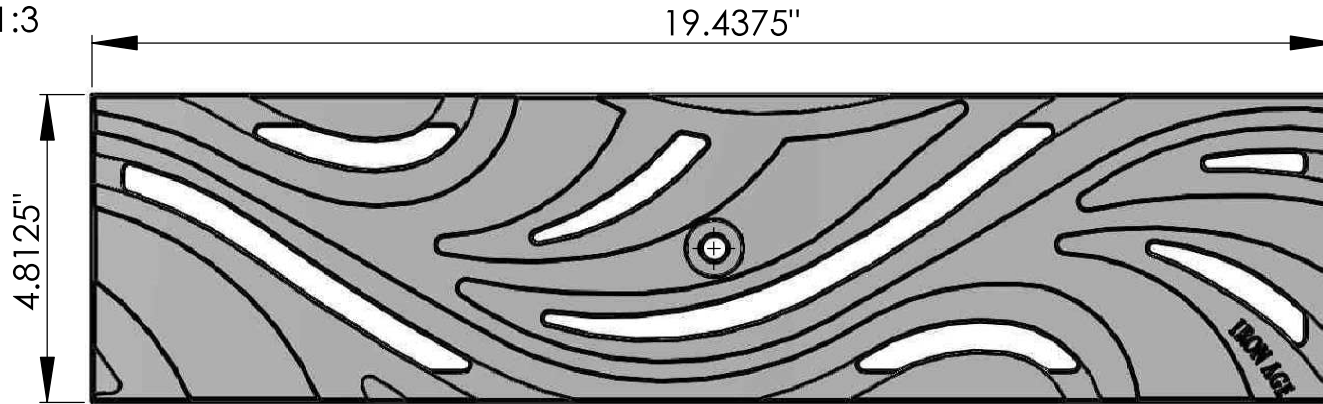
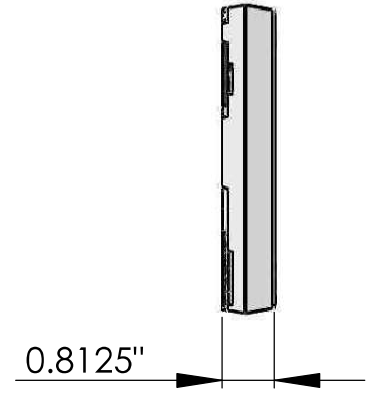


3 castings arrayed
scale 1:6

TOP
scale 1:3




END
scale 1:3



EDGE
scale 1:3



 **IRON AGE** 2104 SW 152nd St. #4 TEL 206.276.0925
DESIGNS Burién, WA 98166 FAX 206.257.0318
www.ironagedesigns.com

Minnione 5"x20" Trench Grate
JOB NO. Drawn by: CD
DWG. NO. MIN.A.5x20 Date: 8/20/12
Scale: NTS

NOTES:

1. Material: cast ductile iron
2. Finish: natural
3. Weight approx. 10 lbs
4. Fits: MEA® 1000 Series
5. Due to casting inconsistencies all dimensions are nominal