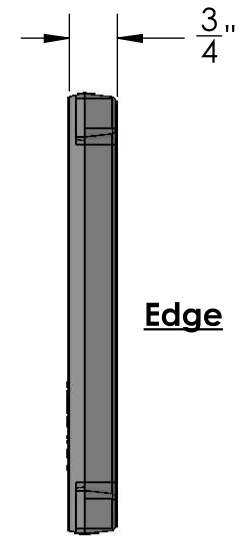
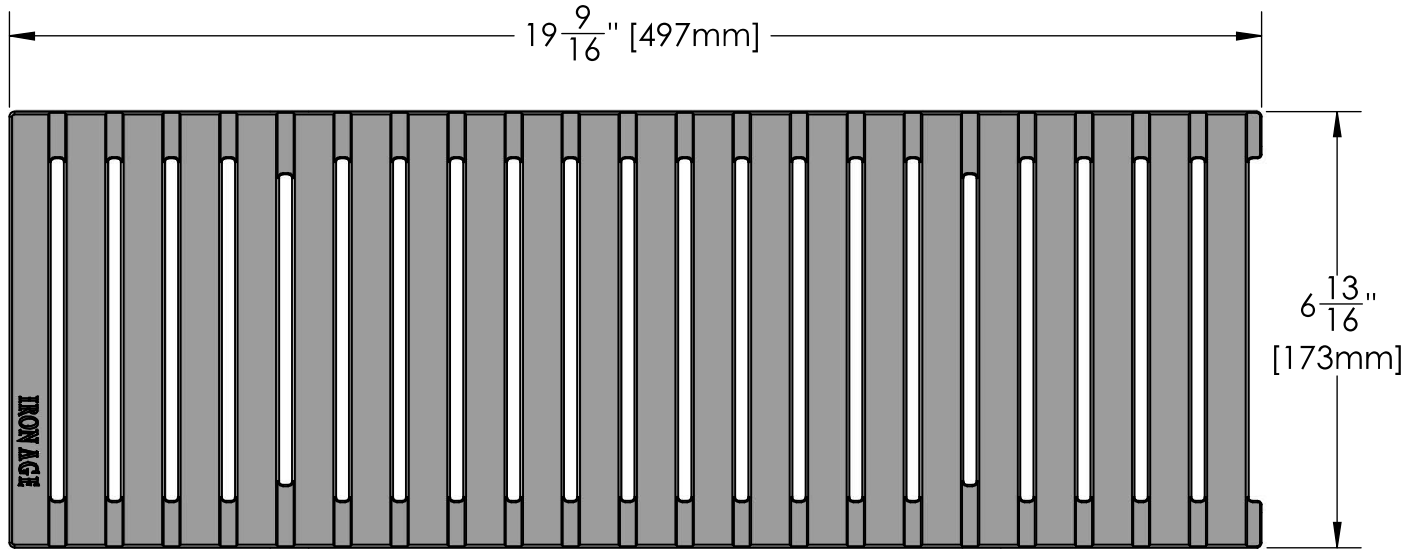


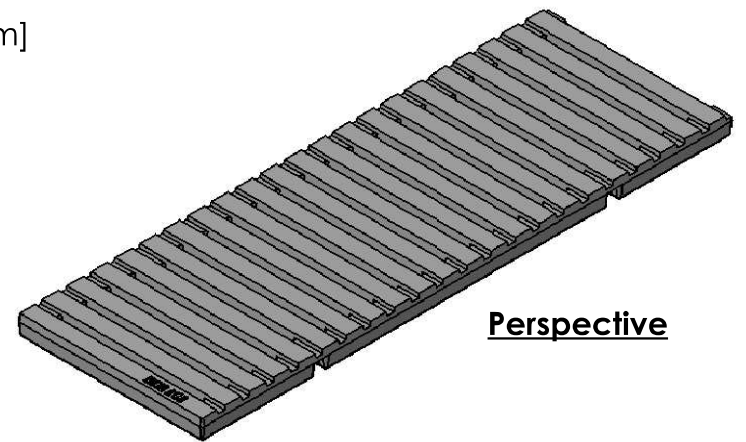
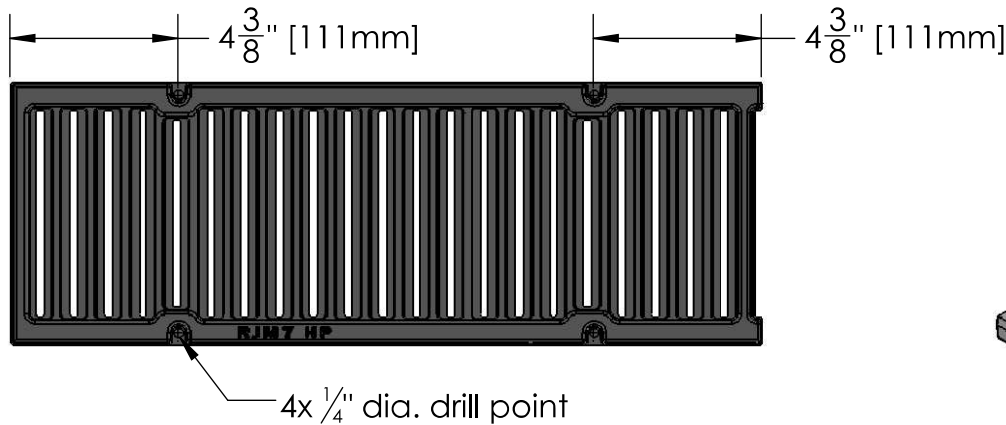
Top



Side




Back



NOTES:

1. Material: cast iron
2. Natural finish
3. Edge thickness: ³/₄"
4. Fits MEA® 1500 Series
5. Heel-Proof; No openings greater than ¹/₄"
6. Weight approx. 12 lbs
7. Due to casting inconsistencies all dimensions nominal

 **IRON AGE** 2104 SW 152nd St #4 TEL 206.276.0925
 DESIGNS Burién, WA 98166 FAX 206.257.0318
 www.ironagedesigns.com

Regular Joe 7"x20" Heel-Proof Trench Grate

JOB NO. Drawn by: JH
 Date: 8/5/14
 DWG. NO. 01-JOE.M.7x20_HP Scale: NTS