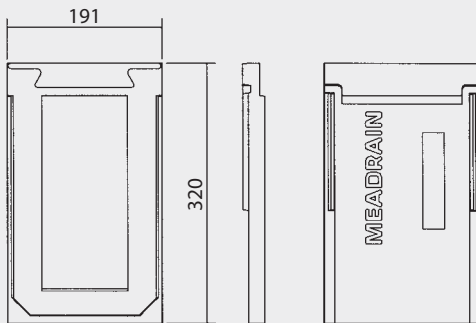


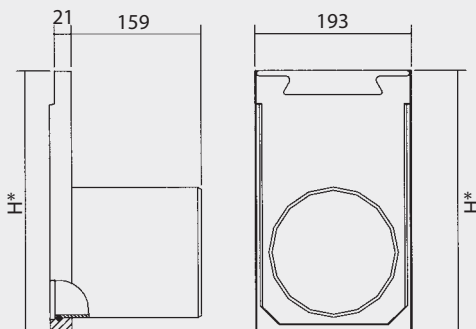
## End caps for channel start and end EN 1500.SE



### Description and sizes

- ◆ Material: Polymer concrete
  - ◆ Edge protection: cast iron
  - ◆ Suitable for all heights
  - ◆ EDP-Number: 010153143
  - ◆ Total height: 320 mm
  - ◆ Total width: 191 mm
- ◆ Weight: 2.7 kg

## End caps for channel end EN 1500.E



H\*= Height

### Description and sizes

- ◆ Material: Polymer concrete
- ◆ Edge protection:: cast iron
- ◆ Integrated sealing ring
- ◆ Integrated HD-PE outlet connector Ø 160
- ◆ Suitable for channel types 1500, 1510 and 1520

	EN 1500.E	EN 1510.E	EN 1520.E
◆ EDP-Number:	010153145	010153147	010153149
◆ Total height:	220 mm	270 mm	320 mm
◆ Total width:	193 mm	193 mm	193 mm
◆ Weight:	1.8 kg	2.5 kg	2.8 kg

Every reasonable effort has been taken to ensure the accuracy of this document. However we cannot accept responsibility for inaccuracies resulting from undetected errors or omissions.

Toll Free: 877-385-5130  
www.northstarindustries.ca