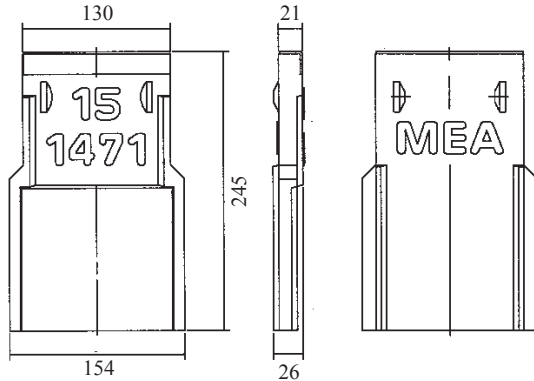


**End cap made of polymer concrete for channel
start and channel end S 1000.SE**



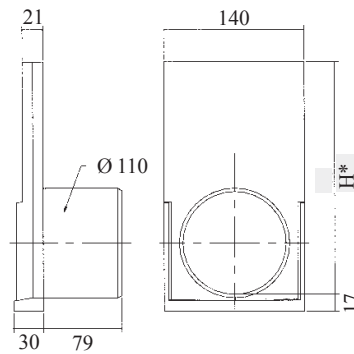
Description and sizes

- ◆ Edge protection: stainless steel
- ◆ Suitable for channel: 1000 - 1020

1000.0 – 1020.0

- ◆ EDP-Number: 010151671
- ◆ Total height: 245 mm
- ◆ Total width: 154 mm
- ◆ Weight: 1.4 kg

**End cap made of polymer concrete for channel end
S 1000.E**



H* = internal channel height

Description and sizes

- ◆ Edge protection: stainless steel
- ◆ PVC connector Ø 110
- ◆ Suitable for channel

	1000	1005	1010	1015	1020
	S 1000.E	S 1005.E	S 1010.E	S 1015.E	S 1020.E
◆ EDP-Number:	010151473	010151475	010151477	010151479	010151481
◆ Height (H):	131 mm	156 mm	181 mm	206 mm	231 mm
◆ Total width:	154 mm	154 mm	154 mm	154 mm	154 mm
◆ Weight:	0.8 kg	0.9 kg	1.0 kg	1.2 kg	1.3 kg

Every reasonable effort has been taken to ensure the accuracy of this document. However we cannot accept responsibility for inaccuracies resulting from undetected errors or omissions.

Toll Free: 877-385-5130
www.northstarindustries.ca