

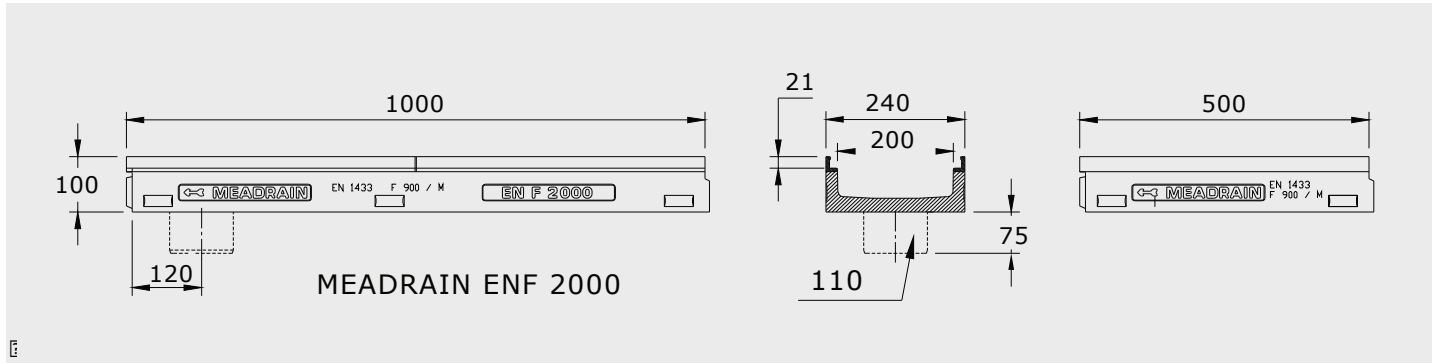
Technical Datasheet Drainage Systems

MEA DRAIN Solution

CW 200

A15 B125 C250 D400* E600* F900*

MEADRAIN Solution ENF 2000



Material properties

Channel units and construction units

- o Polymer concrete: based on polyester resin, with natural minerals
- o Compression resistance: >90 N/mm²
- o Flexural tensile strength: >22 N/mm²
- o Modules of elasticity: 25000 - 35000 N/mm²
- o Density: 2.1 - 2.3 kg/dm³
- o Linear expansion coefficient: approx. 1.45×10^{-5} 1/K
- o Heat resistance: 100°C permanent exposure, short-term exposure (5 min.) to 200°C
- o Frost resistance: - 50°C
- o Water penetration level: 0 mm
- o Water absorption: < 0.05%
- o Material structure: capillary free

Edge protection

- o cast iron: GG KTL-coated

Channel covers

- o ductile iron: GGG

Every reasonable effort has been taken to ensure the accuracy of this document. However we cannot accept responsibility for inaccuracies resulting from undetected errors or omissions.

Toll Free:877-385-5130
www.northstarindustries.ca

Remark

- * From loading class D400 nor suitable for cross drainage of high speed roads and motorways.

ENF 2000 Shallow polymer concrete drainage channel with integrated cast iron edge protection and sealable channel groove

Clear width 200mm, total width 240mm.

Loading classes A15 - F900* to EN 1433.

Loading class as indicated when built-in in accordance to MEA installation instructions.

Channel without fall, class F900*

material group	product description	length [mm]	total height [mm]	EDP-No. 010...	EAN-code 4001990...	kg/unit	units/pallet
MD	MEADRAIN ENF 2000.0 ¹⁾	1000	100	154611	227510	19.60	18
MD	MEADRAIN ENF 2000.1 ¹⁾	500	100	154615	227534	9.80	32
MD	MEADRAIN ENF 2000.0/A ²⁾	1000	100	154613	227527	20.10	20

1) With connection facility for vertical discharge outlet connector Ø 110mm.

2) With integrated HD-PE outlet connector Ø 110mm with NBR-O sealing ring.

ENF 2000 Channel Accessories

MEADRAIN Solution ENF 2000 end cap

Polymer concrete End Cap

With ductile iron edge protections

material group	product description	material	EDP No. 010...	EAN-code 4001990...	kg/unit	units/pallet
MD	MEADRAIN ENF 2000.SE end cap for channel start/end	polymer concrete	154617	227558	1.50	1

Every reasonable effort has been taken to ensure the accuracy of this document. However we cannot accept responsibility for inaccuracies resulting from undetected errors or omissions.

Toll Free:877-385-5130
www.northstarindustries.ca

Remark

* From loading class D400 nor suitable for cross drainage of high speed roads and motorways.