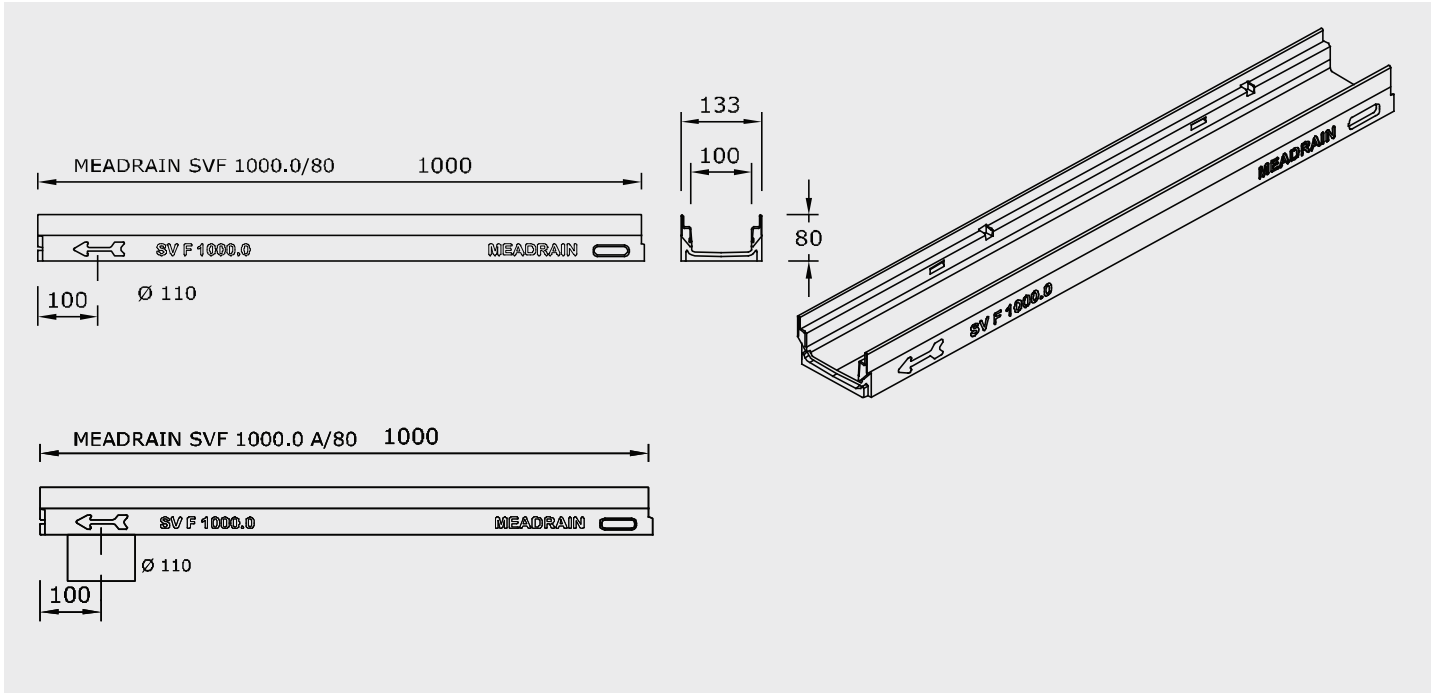


MEADRAIN Solution SVF 1000



Material properties

Channel units and construction units

- o Polymer concrete: based on polyester resin, with natural minerals
- o Compression resistance: > 90 N/mm²
- o Flexural tensile strength: > 22 N/mm²
- o Modules of elasticity: 25000 - 35000 N/mm²
- o Density: 2.1 - 2.3 kg/dm³
- o Linear expansion coefficient: approx. 1.45×10^{-5} 1/K
- o Heat resistance: 100°C permanent exposure, short-term exposure (5 min.) to 200°C
- o Frost resistance: - 50°C
- o Water penetration level: 0 mm
- o Water absorption: < 0.05%
- o Material structure: capillary free

Edge protection

- o galvanized steel
- o edge thickness 4mm

Channel covers

- o galvanized steel
- o ductile iron GGG

* From loading class D400 not suitable for cross drainage of high speed roads and motorways.

Every reasonable effort has been taken to ensure the accuracy of this document. However we cannot accept responsibility for inaccuracies resulting from undetected errors or omissions.

Toll Free: 877-385-5130
www.northstarindustries.ca

Technical Datasheet Drainage Systems

MEADRAIN Solution

CW 100

A15 B125 C250 D400* E600*

Clear widths 100mm, total width 133mm. Suitable for installation of MEADRAIN Top 1000 channel covers.

Loading classes A15 - E600* to EN 1433.

Loading classes as indicated when built in accordance with MEA installation instructions.

* From loading class D400 not suitable for cross drainage of high speed roads and motorways.

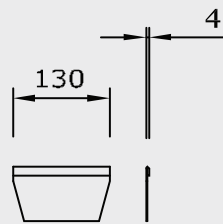
Channel unit without fall, class E600*

material group	product description	length [mm]	total height [mm]	EDP-No. 010...	EAN-code 4001990...	kg/unit	units/pallet
MD	MEADRAIN SVF 1000.0/80 ¹⁾	1000	80	154631	280423	9.80	1
MD	MEADRAIN SVF 1000.0 A/80 ²⁾	1000	80	154635	280447	9.70	1
MD	MEADRAIN SVF 1000.1/80 ¹⁾	500	80	154633	280430	4.90	1

1) With connection facility for vertical discharge outlet connector Ø 110mm

2) With integrated HD-PE outlet connector Ø 110mm and NBR-O sealing ring.

MEADRAIN Solution SVF 1000 end cap



MEADRAIN SVF 1000.SE

End cap of galvanized steel

material group	product description	material	EDP No. 010...	EAN-code 4001990...	kg/unit	units/pallet
MD	MEADRAIN SVF 1000.SE end cap for channel start/end	galv. steel	154637	283004	0.09	1

Every reasonable effort has been taken to ensure the accuracy of this document. However we cannot accept responsibility for inaccuracies resulting from undetected errors or omissions.

Toll Free: 877-385-5130
www.northstarindustries.ca