

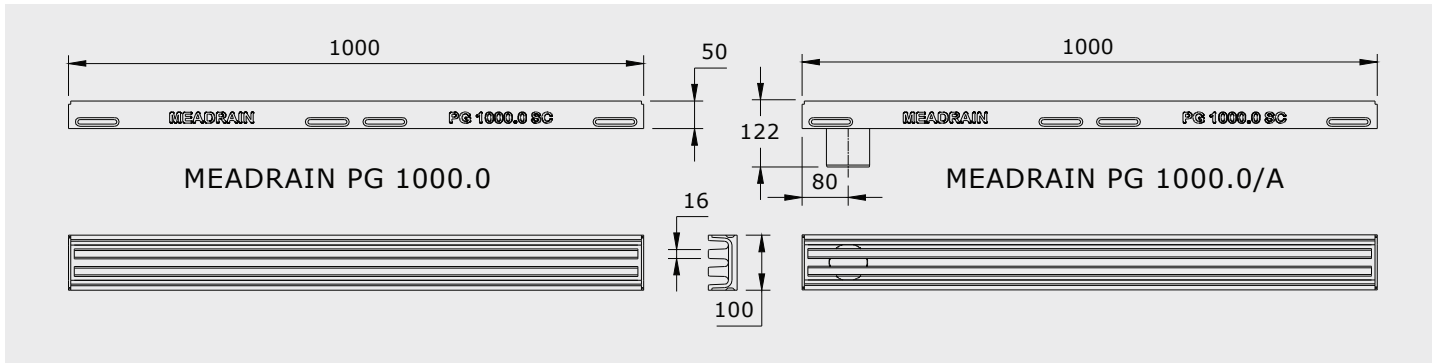
Technical datasheet Drainage Systems

MEA DRAIN Solution

CW 100

A15 B125 C250

MEADRAIN Solution PG 1000



Material properties

Channel unit and construction unit

- o Polymer concrete: based on polyester resin, with natural minerals
- o Compression resistance: >90 N/mm²
- o Flexural tensile strength: >22 N/mm²
- o Modules of elasticity: 25000 - 35000 N/mm²
- o Density: 2.1 - 2.3 kg/dm³
- o Linear expansion coefficient: approx. 1.45×10^{-5} 1/K
- o Heat resistance: 100°C permanent exposure, short-term exposure (5 min.) to 200°C
- o Frost resistance: - 50°C
- o Water penetration level: 0 mm
- o Water absorption: < 0.05%
- o Material structure: capillary free

Technical datasheet Drainage Systems

MEA DRAIN Solution

CW 100

A15 B125 C250

Shallow channel of polymer concrete with comb section, pedestrian-, wheelchair-, and bike safe without channel gratings, with integrated sealable rebate. Loading class A15 - C250 to EN 1433.

Loading classes as indicated, when built-in in accordance to the MEA installation instructions.

Channel unit without fall

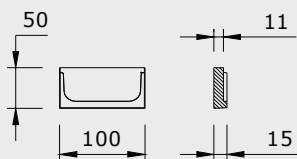
Completely metal free.

Loading classes A15 - C250 to EN 1433

material group	product description	length [mm]	total height [mm]	EDP-No. 010...	EAN-code 4001990...	kg/unit	units/pallet
MD	MEADRAIN PG 1000.0	1000	50	155602	270936	7.10	80
MD	MEADRAIN PG 1000.0/A ¹⁾	1000	50	155604	270943	7.00	1

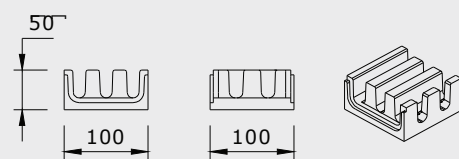
1) Channel unit with integrated HD-PE outlet connector Ø 75mm

MEADRAIN Solution PG 1000 SE



PG 1000.SE

MEADRAIN Solution PG 1000 K



PG 1000.K

End cap of polymer concrete

material group	product description	material	EDP-No. 010...	EAN-code 4001990...	kg/unit	units/pallet
MD	MEADRAIN PG 1000.SE end cap for channel start/end	polymer concrete	155606	270950	0.15	1
MD	MEADRAIN PG 1000.K cross / corner element	polymer concrete	155608	280997	0.65	1