

## Technical datasheet drainage systems

### MEADRAIN Supreme, Solution, Special

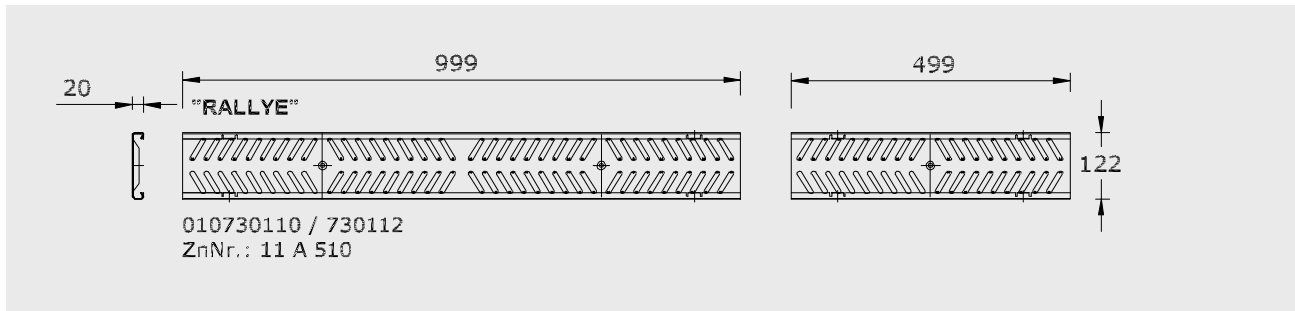
CW 100

For STANDARD grating cover securement. Suitable for system **U1000, Z1000, LZ1000/80, S1000, LS1000/80 and EN1000.**

For channel bodies and catch basins. Width 122 mm.

Locking systems optional

### Design grating "RALLYE"



Material group	Description	Material	Length in mm	EDP-Nr. 010...	EAN-Code 9008089...	Inlet Ø cm <sup>2</sup> /m	kg per unit	units per pallet
MD	Design grating "RALLYE"	galv. steel	1000	730110	270561	260	1.4	150
MD	Design grating "RALLYE"	galv. steel	500	730112	270578	260	0.7	300