

Technical datasheet drainage systems

MEADRAIN Supreme, Solution, Special

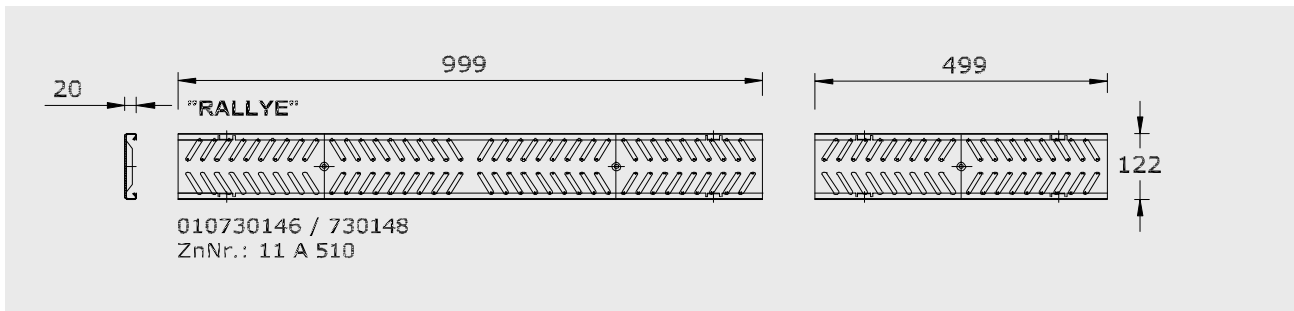
Top 1000 DESIGN gratings, stainless steel

For STANDARD grating cover securement. Suitable for system **U1000, Z1000, LZ1000/80, S1000, LS1000/80** and **EN1000**.

For channel bodies and catch basins. Width 122 mm.

Locking systems optional

Design grating "RALLYE"



Material group	Description	Material	Length in mm	EDP-Nr. 010...	EAN-Code 9008089...	Inlet Ø cm ² /m	kg per unit	units per pallet
MD	Design grating "RALLYE"	stainless steel	1000	730146	271001	260	1.40	150
MD	Design grating "RALLYE"	stainless steel	500	730148	271018	260	0.70	300