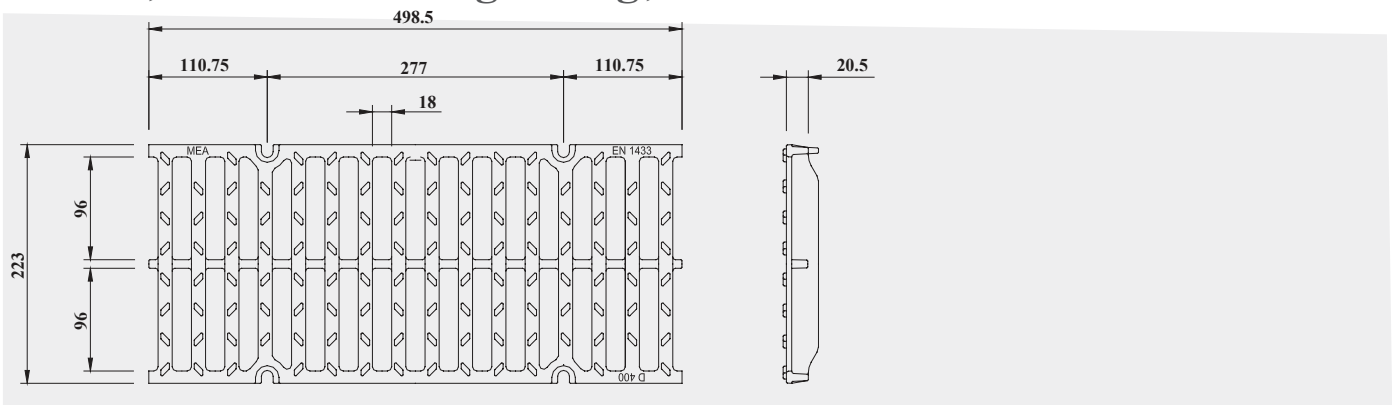


# MEADRAIN® Top 2000

## Technical data

### Slotted, ductile iron grating, class D 400



### Description and sizes

- |                         |                         |                    |                      |
|-------------------------|-------------------------|--------------------|----------------------|
| ◆ Type of grating:      | slotted                 | ◆ Type of locking: | 4-fold bolted        |
| ◆ Material:             | ductile iron            | ◆ Loading class:   | D 400                |
| ◆ EDP-number:           | 010154236               | ◆ 400kN Testload = | 40,000kg = 88,000 lb |
| ◆ Length:               | 500 mm                  |                    |                      |
| ◆ Width:                | 223 mm                  |                    |                      |
| ◆ Width slots:          | 18.0 mm/96.0 mm         |                    |                      |
| ◆ Inlet sectional area: | 1077 cm <sup>2</sup> /m |                    |                      |
| ◆ Weight:               | 7.4 kg                  |                    |                      |

Also available in Hot Dip Galvanized finish