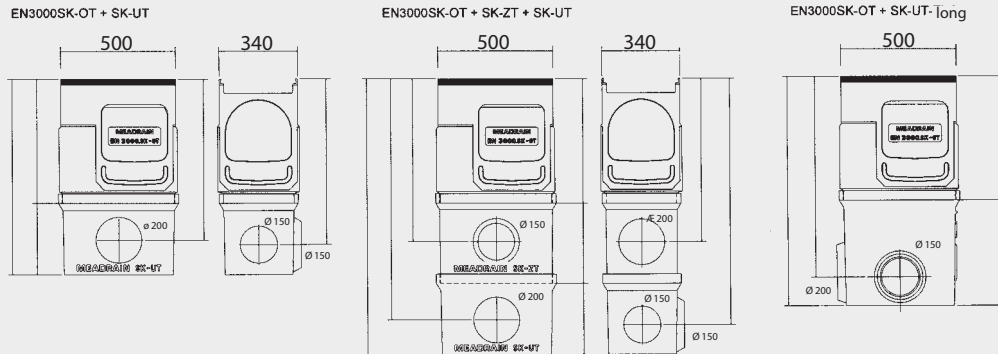


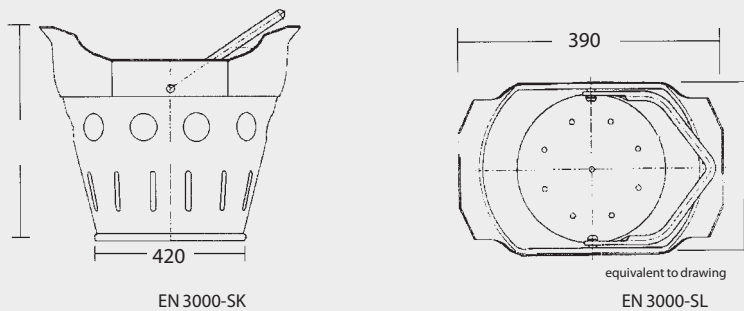
## Catch Basin made of polymer concrete EN 3000



### Description and sizes

- ◆ Multipart execution with various possibilities of combination of upper, intermediate and lower parts
- ◆ Integrated cast iron edge protection **Also available with Galvanized edge rails**
- ◆ Galvanized steel Trash bucket available
- ◆ Suitable for installation of MEADRAIN Top 3000 grate with PROFIX boltless locking system or standard locking mechanisms
- ◆ Connection facility for outlet connector  $\varnothing 160$  and  $\varnothing 200$

### Trash bucket for EN 3000-SK/SL



H\* = Height

### Description and sizes

- |                 |                  |            |
|-----------------|------------------|------------|
| ◆ Material:     | Galvanized steel |            |
|                 | EN 3000-SK       | EN 3000-SL |
| ◆ EDP-Number:   | 010154713        | 010154715  |
| ◆ Total height: | 320 mm           | 580 mm     |
| ◆ Total width:  | 260 mm           | 260 mm     |
| ◆ Length:       | 390 mm           | 390 mm     |
| ◆ Weight:       | 3.5 kg           | 6.0 kg     |

Every reasonable effort has been taken to ensure the accuracy of this document. However we cannot accept responsibility for inaccuracies resulting from undetected errors or omissions.

## EN 3000 Catch Basins

### Product overview Catch Basin elements

Product description		Length [mm]	Total height h [mm]	Weight [kg]	EDP Number 010...
EN 3000 SK-OT	Upper catch basin opened both sides for channel EN 3000. Pre-formed knockouts for breaking out used for larger overall channel heights	500	540	36.0	153577
SK-ZT	Middle catch basin section to increase total height	524	350	22.0	154709
SK-UT-Short	Lower catch basin short section with preformed knockouts for connectors $\varnothing 160$ <sup>1)</sup> /200	524	310	24.0	154711
SK-UT-Long	Lower catch basin long section with preformed knockouts for connectors $\varnothing 160$ <sup>1)</sup> /200	524	460	33.6	154719

<sup>1)</sup> Possibility to use lip sealing ring

Choice of grates per Top 3000 Technical Data Sheet