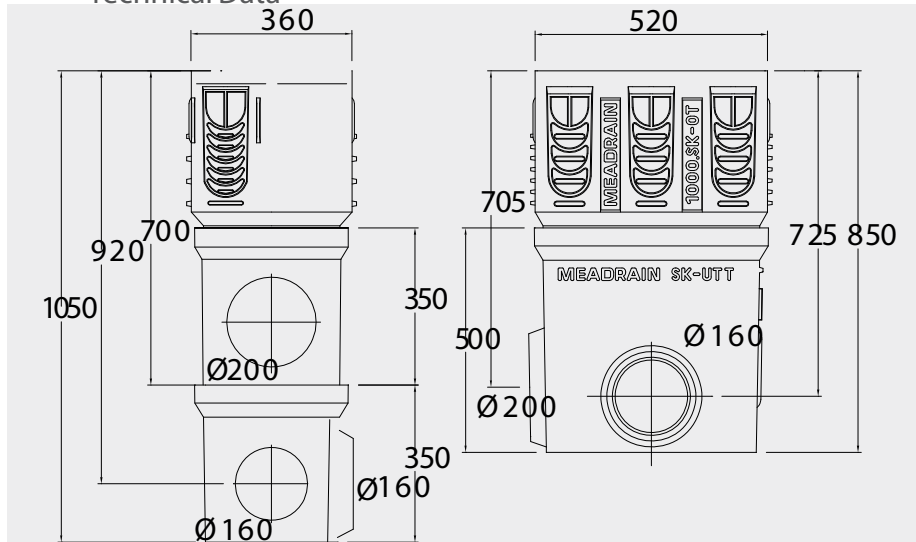


# MEADRAIN Supreme System EN 1000 Catch Basin



## Technical Data



### Material properties

#### Channel body

- ◆ Polymer concrete based on polyester resin
- ◆ Compression resistance: > 90 N/mm<sup>2</sup>
- ◆ Flexural strength: > 22 N/mm<sup>2</sup>
- ◆ Water absorption: less than 0.05%
- ◆ Density: 2.1-2.3 kg/dm<sup>3</sup>
- ◆ Modulus of elasticity: 25 - 35 kN/mm<sup>2</sup>
- ◆ Water penetration level: 0 mm
- ◆ Material structure: capillary free

#### Edge protection

- ◆ Cast iron: KTL-coated (cataphoretic painting)

#### Grating

- ◆ Ductile iron Top 3000 C-F Load Slotted or Solid available with Hot Dip Galvanized Finish

Also available with Galvanized edge rails

## Product overview

Product description		Length [mm]	Total height h [mm]	Weight [kg]	EDP Number 010...
EN 1000 SK-OT	Upper catch basin with integrated cast iron frame. Suitable for connection to EN 1000 channels.	500	390	37.6	154707
SK-ZT	Catch basin riser section to increase total height	524	350	22.0	154709
SK-UT-Short	Lower catch basin short section with preformed knockouts for connectors Ø160 <sup>1)</sup> /200	524	310	24.0	154711
SK-UT-Long	Lower catch basin long section with preformed knockouts for connectors Ø160 <sup>1)</sup> /200	524	460	33.6	154719

<sup>1)</sup> Possibility to use sealing ring