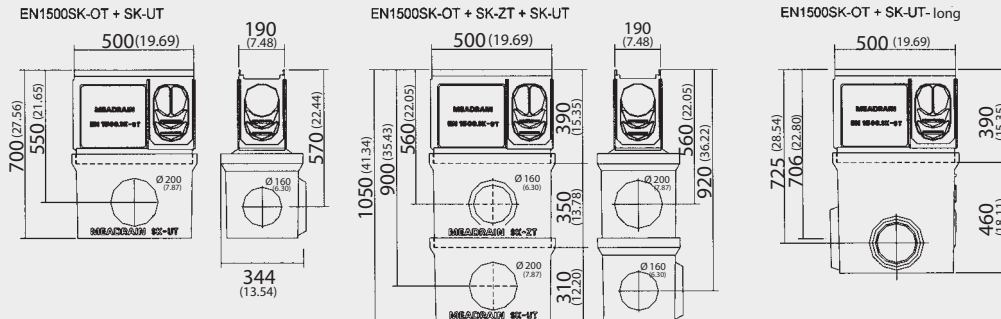


Catch basin made of polymer concrete EN 1500.SK

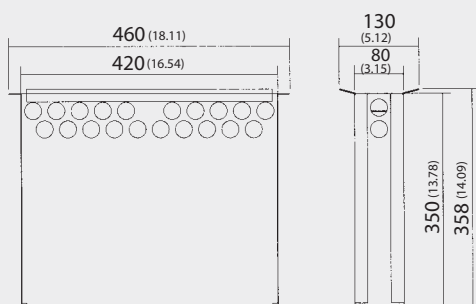


Description and sizes

- ◆ Multipart execution with various possibilities of combination of upper, intermediate and lower parts
- ◆ Integrated cast iron edge protection
- ◆ Galvanized steel trash bucket available
- ◆ Suitable for installation of MEADRAIN Top 1500 with PROFIX boltless locking system or standard locking mechanisms in Grades C-F Load per Top 1500 Data Sheet
- ◆ Pre-formed knockouts for breaking out, making the perfect connection of the channel types 1510 and 1520
- ◆ Connection facility for outlet connector \varnothing 160 and \varnothing 200
- ◆ Open both sides for connection of channel type 1500.0

Also available with Galvanized edge rails

Trash bucket for Catch Basin EN 1500.SK-S



Description and sizes

- | | | | |
|-----------------|-------------------|-----------------|--------|
| ◆ Material: | galvanized steel | | |
| ◆ EDP-Number: | 010151846 | ◆ Total length: | 460 mm |
| ◆ Total height: | 358 mm (14.09 in) | ◆ Weight: | 2.5 kg |
| ◆ Total width: | 130 mm (5.12 in) | | |

Every reasonable effort has been taken to ensure the accuracy of this document. However we cannot accept responsibility for inaccuracies resulting from undetected errors or omissions.

Toll Free: 877-385-5130
www.northstarindustries.ca