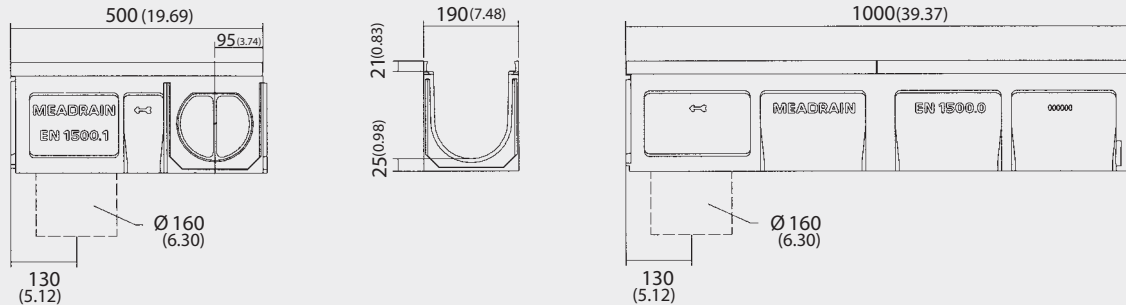


MEADRAIN Supreme System EN 1500



Technical Data



Material properties

Channel body

- ◆ Polymer concrete based on polyester resin
- ◆ Compression resistance: $> 90 \text{ N/mm}^2$
- ◆ Flexural strength: $> 22 \text{ N/mm}^2$
- ◆ Water absorption: less than 0.05%
- ◆ Density: 2.25 kg/dm^3
- ◆ Modulus of elasticity: $25 - 35 \text{ kN/mm}^2$
- ◆ Water penetration level: 0 mm
- ◆ Material structure: capillary free

Edge protection

- ◆ Cast iron: KTL-coated (cataphoretic painting)

Grating

- ◆ Ductile iron C- F Load per Top 1500 Data Sheets available with Hot Dip Galvanized Finish

Also available with Galvanized edge rails

Description and sizes

- ◆ Drainage channel made of polymer concrete with sealable channel groove
- ◆ Integrated cast iron edge protection
- ◆ Connection facility for vertical discharge Ø160 in 500 mm and 1000 mm channel
- ◆ The /A-marked channel elements include a HD-PE outlet connector Ø 160
- ◆ Interlocking joint system for an exact fitting of the channels
- ◆ Suitable for installation of MEADRAIN Top 1500 grating covers with PROFIX boltless locking systems or standard locking mechanisms
- ◆ Fall type: stepped fall and neutral
- ◆ Loading classes: C250 - F 900 per EN 1433 (D 400 unsuitable for cross drainage of high speed roads and highways)
- ◆ Total height: 220 mm - 320 mm (see table) (8.66 in-12.60 in)
- ◆ Total width: 190 mm (7.48 in)
- ◆ Length: 500 mm and 1000 mm (19.69 in-39.37 in)

Every reasonable effort has been taken to ensure the accuracy of this document. However we cannot accept responsibility for inaccuracies resulting from undetected errors or omissions.

Toll Free: 877-385-5130
www.northstarindustries.ca