

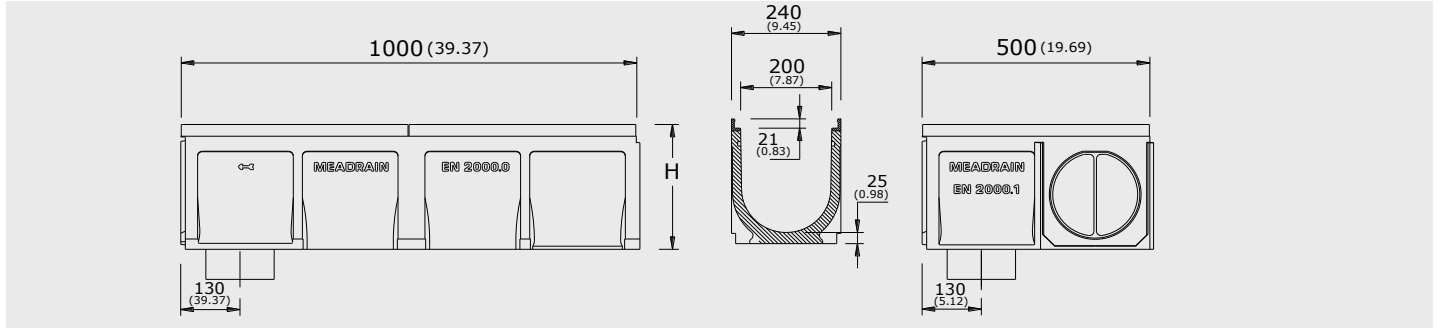
Technical Datasheet Drainage Systems

MEA DRAIN Supreme

A15 B125 C250 D400* E600* F900*

EN 2000 polymer concrete channel

MEADRAIN Supreme EN 2000



Material properties

Channel units and construction units

- o Polymer concrete: based on polyester resin, with natural minerals
- o Compression resistance: $\geq 90 \text{ N/mm}^2$
- o Flexural tensile strength: $\geq 22 \text{ N/mm}^2$
- o Modules of elasticity: $25000 - 35000 \text{ N/mm}^2$
- o Density: $2,1 - 2,3 \text{ kg/dm}^3$
- o Linear expansion coefficient: approx. $1,45 \times 10^{-5} \text{ 1/K}$
- o Heat resistance: 100°C permanent exposure, short-term exposure (5 min.) to 200°C
- o Frost resistance: -50°C
- o Water penetration level: 0 mm
- o Water absorption: $< 0,05\%$
- o Material structure: capillary free

Edge protection

- o cast iron GG KTL-coated

Channel covers

- o ductile iron GGG

Remark

* From loading class D400 not suitable for cross drainage of high speed roads and motorways. Toll Free # 877 385 5130
www.northstarindustries.ca

Technical Datasheet Drainage Systems

MEA DRAIN Supreme

A15 B125 C250 D400* E600* F900*

EN 2000 polymer concrete channel with integrated cast iron edge protection and sealable channel groove to EN 1433
DIBt approval Z - 74 .4 - 28

Clear width 200mm, total width 240 mm. Suitable for installation of MEADRAIN Top 2000 PROFIX and MEADRAIN Top EN 2000 4-fold bolted channel covers. Channel units without fall or with stepped fall. Loading classes A15 - F900* to EN1433. Loading classes as indicated when built-in in accordance to MEA installation instructions.

Low channel unit without fall

material group	product description	length [mm]	total height [mm]	length [in]	total height [in]	EDP- No. 010...	EAN- code 4001990...	kg/unit	units/pallet
MD	MEADRAIN ENF 2000.0/220 ¹⁾	1000	220	39.37	7.87	157285	267905	27,00	18

1) With connection facility for vertical discharge outlet connector Ø 160mm or gully EN 2000

Channel units without fall

material group	product description	length [mm]	total height [mm]	length [in]	total height [in]	EDP- No. 010...	EAN- code 4001990...	kg/unit	units/pallet
MD	MEADRAIN EN 2000.0 ¹⁾	1000	280	39.37	11.02	157531	047606	35,40	9
MD	MEADRAIN EN 2000.0/A ²⁾	1000	280	39.37	11.02	157532	262955	35,40	9
MD	MEADRAIN EN 2000.1 ¹⁾³⁾	500	280	19.69	11.02	157533	047613	18,25	18
MD	MEADRAIN EN 2010.0 ¹⁾	1000	330	39.37	12.99	157535	047620	41,22	9
MD	MEADRAIN EN 2010.1 ¹⁾³⁾	500	330	19.69	12.99	157537	047637	21,00	24
MD	MEADRAIN EN 2020.0 ¹⁾	1000	380	39.37	14.96	157539	047644	47,50	9
MD	MEADRAIN EN 2020.1 ¹⁾³⁾	500	380	19.69	14.96	157541	047651	23,50	18
MD	MEADRAIN EN 2020.1RW/A ³⁾⁴⁾	500	380	19.69	14.96	157543	047668	22,00	24

1) With connection facility for vertical discharge outlet connector Ø 160mm or gully EN 1500

2) With integrated HD-PE outlet connector Ø 160mm and NBR-O sealing ring.

3) Connection facility for corner and cross junction Ø 160mm

4) With integrated HD-PE outlet connector Ø 160mm and NBR-O sealing ring and two inlet sides to change flow direction

Channel units as connecting elements

For channel units with stepped fall (with 5% fall)

material group	product description	length [mm]	total height [mm]	length [in]	total height [in]	EDP- No. 010...	EAN- code 4001990...	kg/unit	units/pallet
MD	MEADRAIN EN 2000-10	1000	280-330	39.37	11.0-13.0	157545	047675	39,00	9
MD	MEADRAIN EN 2010-20	1000	330-380	39.37	13.0-14.96	157547	047682	43,50	9

e.g. connection of EN 2000.0 and EN 2010.0 with EN 2000-10

Remark

* From loading class D400 not suitable for cross drainage of high speed roads and motorways. Toll Free # 877 385 5130
www.northstarindustries.ca