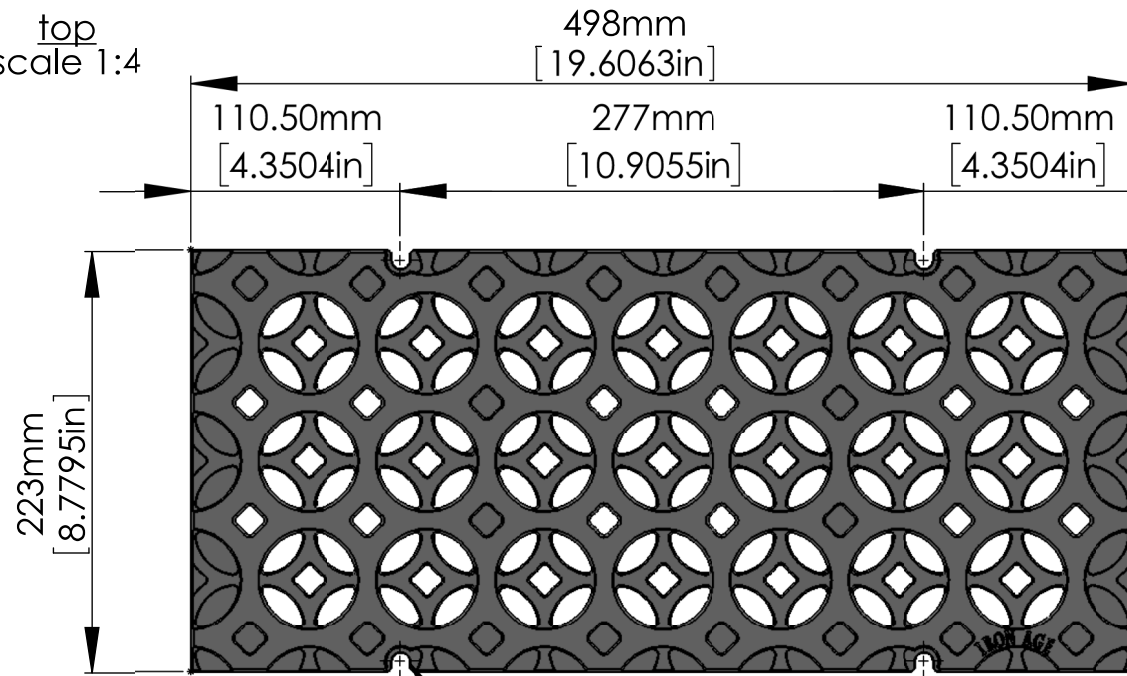
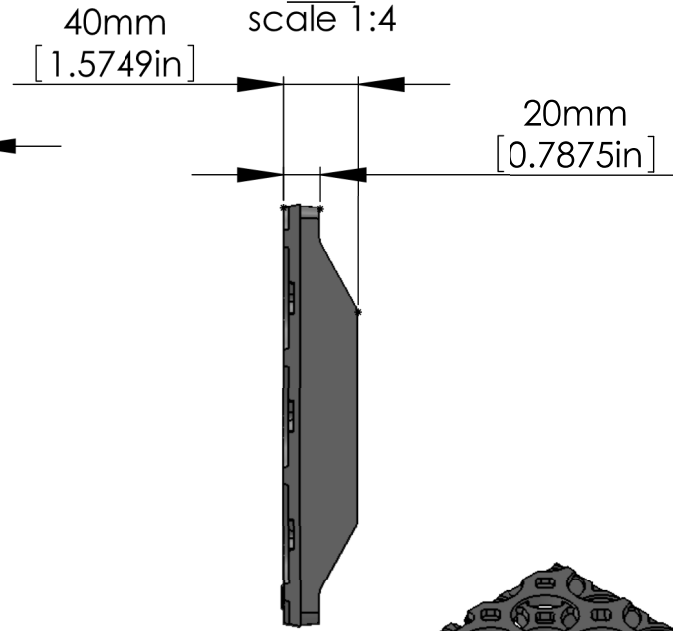


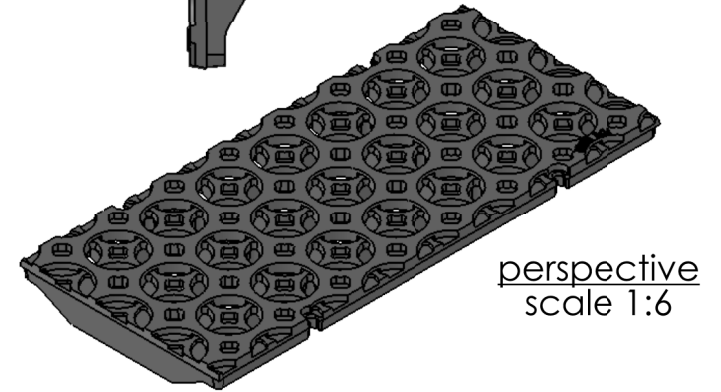
top
scale 1:4



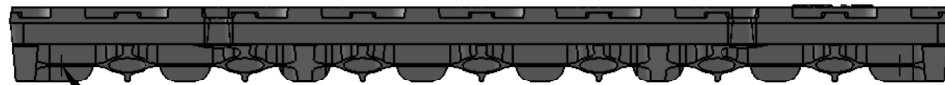
end
scale 1:4



(4X) hole for m8 button-head screw,
locations correspond w/ bolt-dn holes
in MEADRAIN™ channel



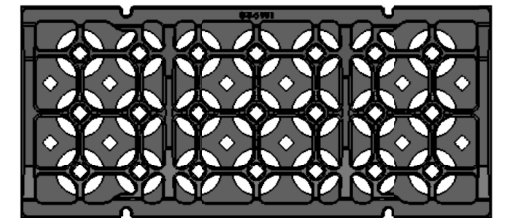
edge
scale 1:4



(4X) drill point
to locate hole for
PROFIX™

NOTES:

1. Material: cast ductile iron
2. Finish: Natural
3. Edge Thickness: 20mm
4. Fits: MEA® EN2000
5. No openings greater than: 12mm
6. Approximate weight 9.4 Kg (20.2 lbs)
7. Due to casting inconsistencies all dimensions are nominal



IRON AGE 2104 SW 152nd St #4 TEL 206.276.0925
 Buren, WA 98166 FAX 206.257.0318
 DESIGNS www.ironagedesigns.com

Interlaken 9"x20" Trench Grate Drawn by: JH
 Date: 09/19/16
 DWG. NO. INT.M.E600 Scale: NTS