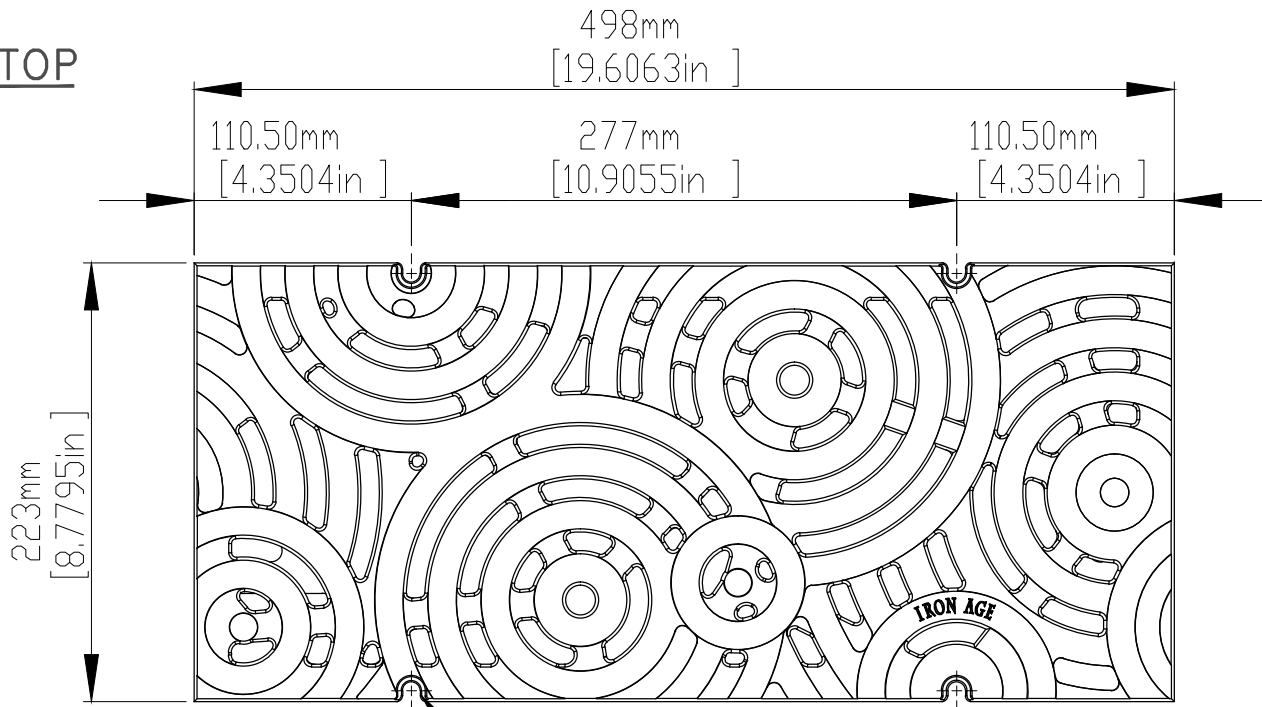
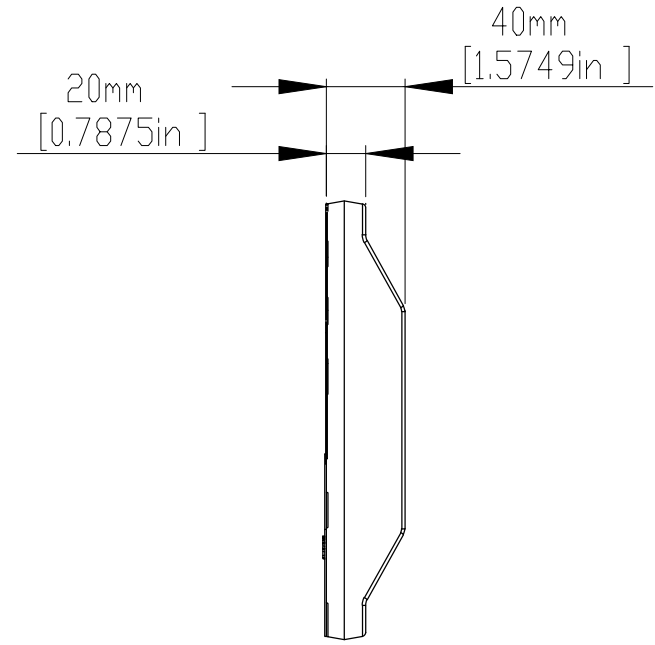


TOP

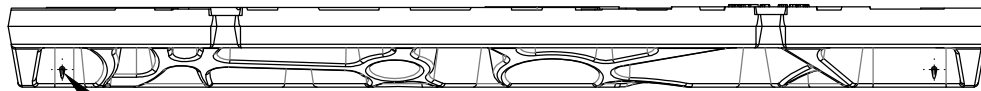


END

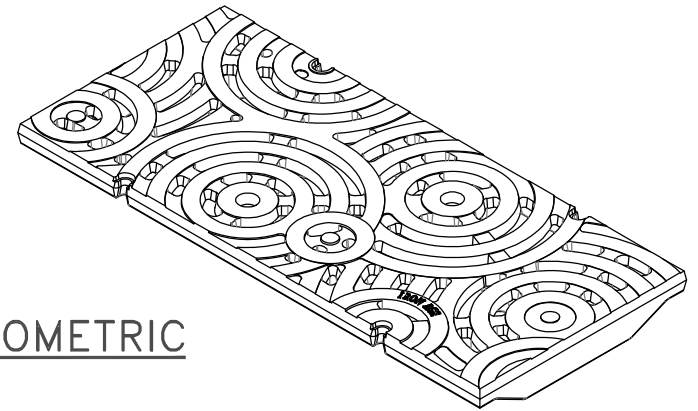


(4X) hole for m8 button-head screw,  
 locations correspond w/ bolt-dn holes  
 in MEADRAIN™ channel

EDGE



(4X) drill point  
 to locate hole for  
 PROFIX™



ISOMETRIC

NOTES:

1. Material: cast ductile iron
2. Finish: natural
3. Edge thickness: 20mm/0.79"
4. Replaces drain manufactured by: MEA® EN2000
5. ADA Compliant: No openings greater than 12mm/1/2"
6. Approx. weight: 28 lbs.
7. Due to casting inconsistencies, all dimensions nominal



**IRON AGE  
DESIGNS** 2104 SW 152nd St. #4 TEL 206.276.0925  
 Burien, WA 98166 FAX 206.257.0318  
 www.ironagedrains.com

Oblio 9"x20" Trench Grate

Drawn by: CD  
 Date: 01/05/06  
 Scale: NTS

DWG No: OBL.M.E600

© 2006 Iron Age Designs

Registration Number:  
 VA 1-814-273