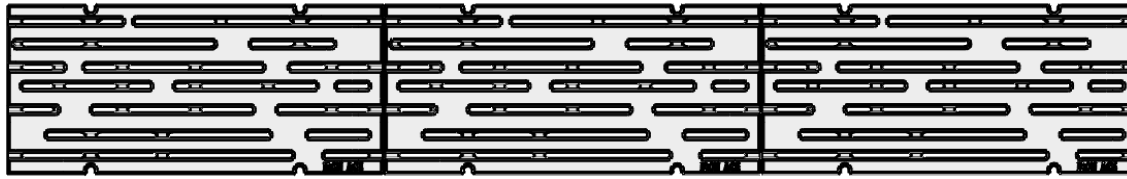


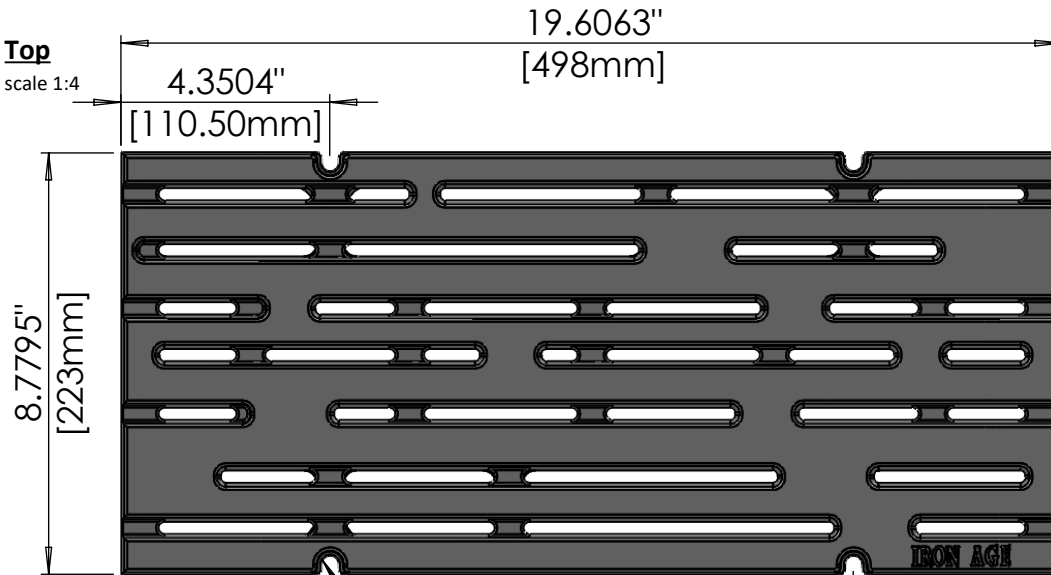
**Array 3x**

scale 1:10



**Top**

scale 1:4



8.7795"  
[223mm]

4.3504"  
[110.50mm]

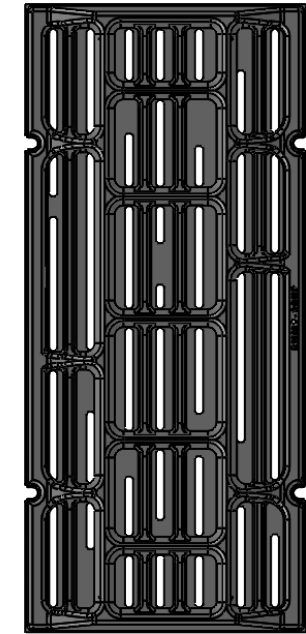
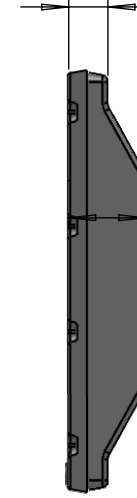
19.6063"  
[498mm]

0.7875"  
[20mm]

1.5749"  
[40mm]

**Edge**

scale 1:4



**Bottom**

scale 1:6

**Side**

scale 1:4

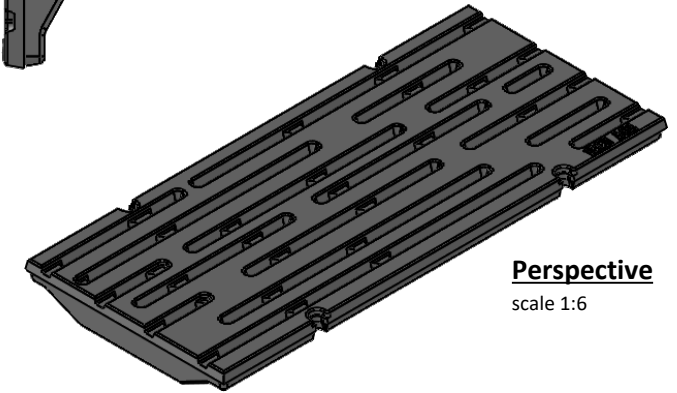


10.9055"  
[277mm]  
(4x)hole for m8 button-head bolt;  
locations correspond w/ bolt-dn holes  
in MEADRAIN™ channel

(4x)drillpoint to locate hole for PROFIX™

**RNM9-20HP**

Casting Identifier



**Perspective**

scale 1:6

**NOTES:**

1. Heel Proof: No openings greater than 1/4".
2. Ships in 1 piece.
3. Due to casting inconsistencies, all dimensions are nominal.

Made in USA ©2018 Iron Age Designs

Rain 9"x20" [223mm x 498mm] trench drain



Material: Cast Ductile Iron  
Standard Finish: Natural  
Fits: MEADRAIN™ EN2000

Weight: 12.5kg [27.5lbs]  
Edge Thickness: 0.7875"  
Product ID: RNM9-20HP

Free Area N/A (approx):  
Gallon/ Min sq area x FDA (approx): x1.31= GPM  
Drawing Name: 01\_RAI\_TRENCHGRATE\_9x20\_E600\_MEA\_HP

By: JH Date: 2/28/18  
Job No: 180504UT Scale: 1:1  
© Registration: XX-1-XXX-123