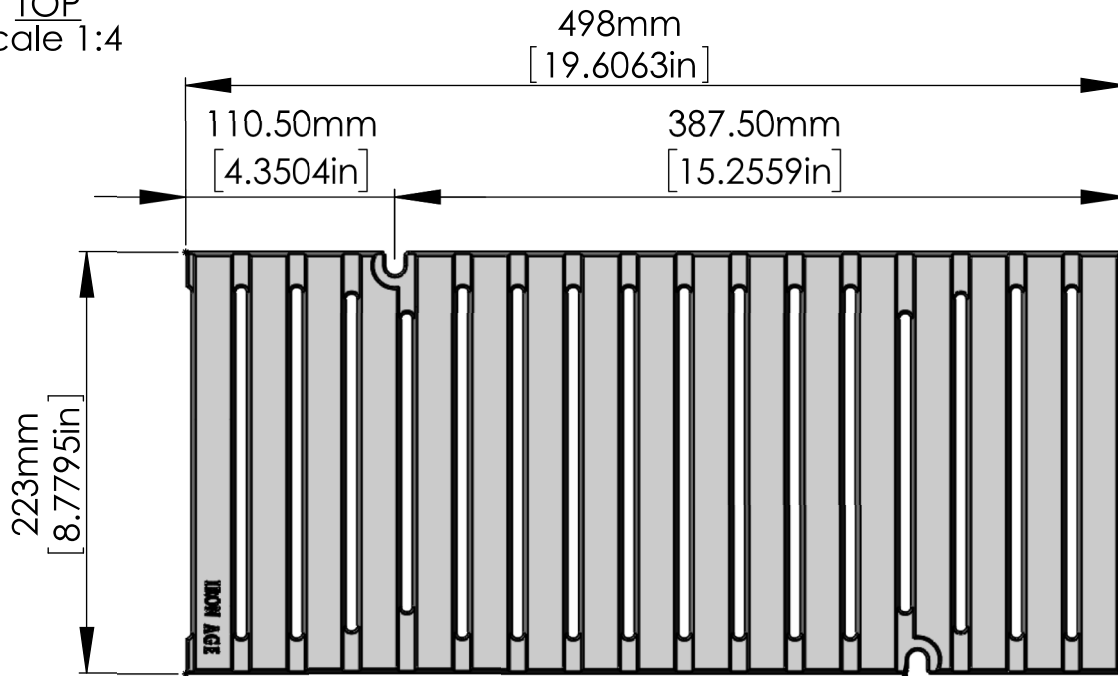
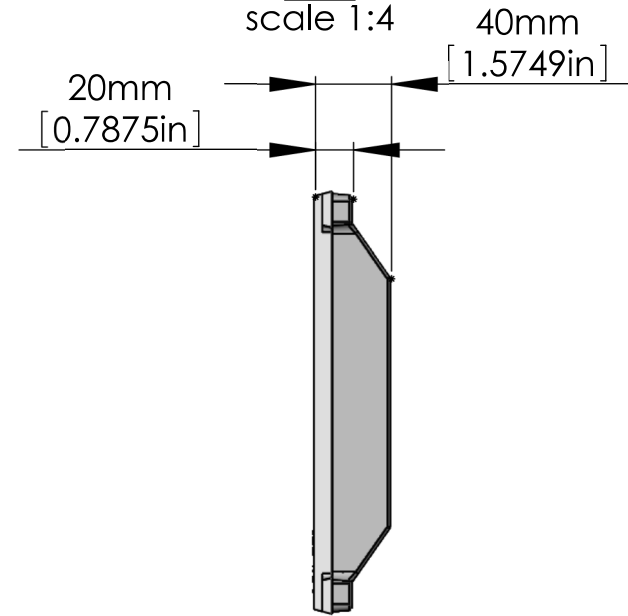


TOP
scale 1:4

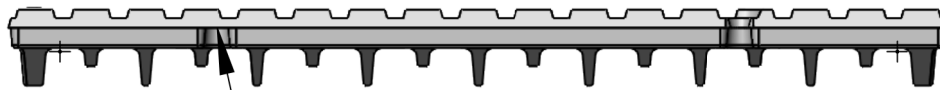


(2X) hole for m8 button-head screw,
locations correspond w/ bolt-dn holes
in MEADRAIN™ channel

END
scale 1:4

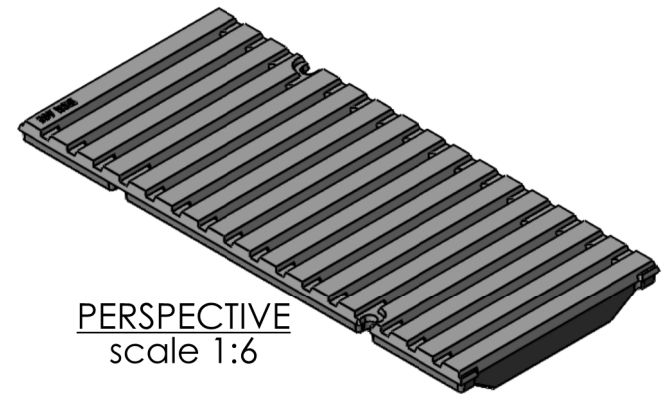


EDGE
scale 1:4




(2x) drill point
to locate hole

PERSPECTIVE
scale 1:6



NOTES:

1. Material: cast ductile iron
2. Finish: Natural
3. Edge Thickness: 20mm/.79"
4. Fits: MEA® EN2000
5. Heelproof; No openings greater than: 6mm/.25"
6. Approx. weight: 26lbs
7. Due to casting inconsistencies all dimensions are nominal

 **IRON AGE** 2104 SW 152nd St #4 TEL 206.276.0925
DESIGNS Burién, WA 98166 FAX 206.257.0318
www.ironagedesigns.com

Regular Joe 9"x20" Heel Proof Trench Grate

Drawn by: JH
Date: 10/24/17
Scale: NTS

DWG. NO. JOE.M.E600_HP

© 2017 Iron Age Designs