

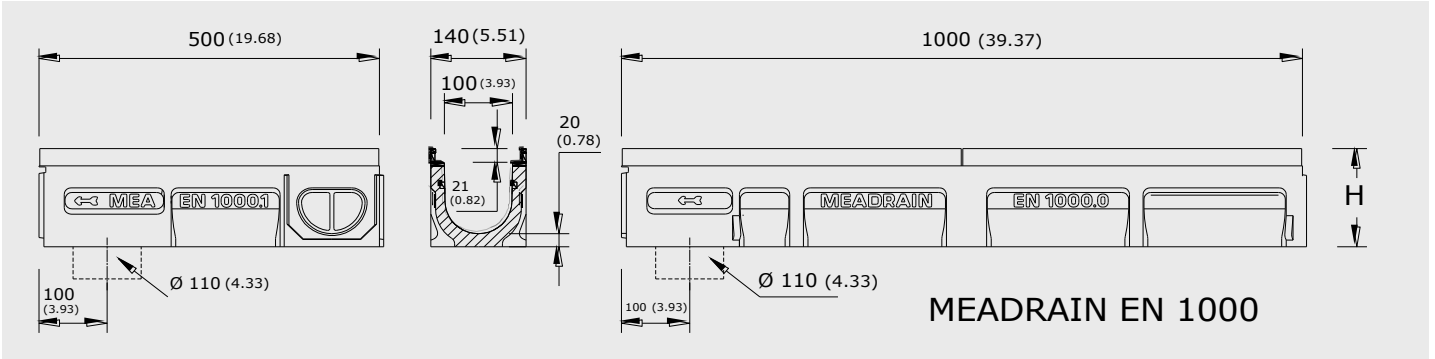
Technical Datasheet Drainage Systems

MEADRAIN Supreme

A15 B125 C250 D400* E600* F900*

EN 1000 polymer concrete drainage channel

MEADRAIN Supreme EN 1000



Material properties

Channel units and construction units

- o Polymer concrete: based on polyester resin, with natural minerals
- o Compression resistance: $\geq 90 \text{ N/mm}^2$
- o Flexural tensile strength: $\geq 22 \text{ N/mm}^2$
- o Modules of elasticity: $25000 - 35000 \text{ N/mm}^2$
- o Density: $2,1 - 2,3 \text{ kg/dm}^3$
- o Linear expansion coefficient: approx. $1,45 \times 10^{-5} \text{ 1/K}$
- o Heat resistance: 100°C permanent exposure, short-term exposure (5 min.) to 200°C
- o Frost resistance: -50°C
- o Water penetration level: 0 mm
- o Water absorption: $< 0,05\%$
- o Material structure: capillary free

Edge protection

- o cast iron GG KTL-coated
- o Available with Galvanized Finished Cast Iron

Channel covers

- o ductile iron: GGG
- o galvanized steel
- o stainless steel
- o plastic

Remark

* From loading class D400 not suitable for cross drainage of high speed roads and motorways. Toll Free # 877 385 5130
www.northstarindustries.ca

Technical Datasheet Drainage Systems

MEADRAIN Supreme

A15 B125 C250 D400* E600* F900*

EN 1000 polymer concrete drainage channel with integrated cast iron edge protection and sealable channel groove to EN 1433

DIBt approval Z - 74 .4 - 28

Clear width 100mm, total width 140mm. Suitable for installation of **MEADRAIN Top 1000 CLIPFIX**, **MEADRAIN Top 1000 PROFIX**, **MEADRAIN Top 1000 STANDARD** and **MEADRAIN Top 1000 4-fold bolted** channel covers.

Channel units without fall. Loading classes A15 to F900* to EN 1433.

Loading classes as indicated when built-in in accordance to MEA installation instructions.

Channel units without fall

material group	product description	length [mm]	total height [mm]	length [in]	total height [in]	EDP- No. 010...	EAN- code 4001990...	kg/unit	units/pallet
MD	MEADRAIN EN 1000.0 ¹⁾	1000	150	39.37	5.90	157201	046982	16,40	45
MD	MEADRAIN EN 1000.0/A ²⁾	1000	150	39.37	5.90	157203	046999	16,80	20
MD	MEADRAIN EN 1000.1 ^{1) 3)}	500	150	19.69	5.90	157205	047002	8,40	54
MD	MEADRAIN EN 1005.0 ¹⁾	1000	175	39.37	6.89	157219	047019	17,80	45
MD	MEADRAIN EN 1005.0/A ²⁾	1000	175	39.37	6.89	157221	047026	19,10	20
MD	MEADRAIN EN 1005.1 ^{1) 3)}	500	175	19.69	6.89	157223	047033	9,60	54
MD	MEADRAIN EN 1010.0 ¹⁾	1000	200	39.37	7.87	157237	047040	19,60	36
MD	MEADRAIN EN 1010.0/A ²⁾	1000	200	39.37	7.87	157239	047057	19,20	20
MD	MEADRAIN EN 1010.1 ^{1) 3)}	500	200	19.69	7.87	157241	047064	10,40	54
MD	MEADRAIN EN 1015.0 ¹⁾	1000	225	39.37	8.86	157255	047255	22,20	36
MD	MEADRAIN EN 1015.0/A ²⁾	1000	225	39.37	8.86	157257	047088	23,10	20
MD	MEADRAIN EN 1015.1 ^{1) 3)}	500	225	19.69	8.86	157259	047095	11,40	54
MD	MEADRAIN EN 1020.0 ¹⁾	1000	250	39.37	9.84	157273	047101	24,10	27
MD	MEADRAIN EN 1020.0/A ²⁾	1000	250	39.37	9.84	157275	047118	24,10	20
MD	MEADRAIN EN 1020.1 ^{1) 3)}	500	250	19.69	9.84	157277	047125	12,20	54
MD	MEADRAIN EN 1030.0 ¹⁾	1000	305	39.37	12.0	157279	048108	27,70	27

1) With connection facility for vertical discharge outlet connector Ø 110mm or siltbox/gully.

2) With integrated HD-PE outlet connector Ø 110mm and NBR-O sealing ring.

3) With connection facility for corner and cross junction.

Remark

* From loading class D400 not suitable for cross drainage of high speed roads and motorways. Toll Free # 877 385 5130
www.northstarindustries.ca

Technical Datasheet Drainage Systems

MEADRAIN Supreme

A15 B125 C250 D400* E600* F900*

EN 1000 polymer concrete drainage channel with integrated cast iron edge protection and sealable channel groove to EN 1433

DIBt approval Z - 74 .4 - 28

Clear width 100mm, total width 140mm. Suitable for installation of **MEADRAIN Top 1000 CLIPFIX**, **MEADRAIN Top 1000 PROFIX**, **MEADRAIN Top 1000 STANDARD** and **MEADRAIN Top 1000 4-fold bolted** channel covers.

Channel units with linear fall. Loading classes A15 to F900* to EN 1433.

Loading classes as indicated when built-in in accordance to MEA installation instructions.

Channel units with fall (fall 0,5%)

material group	product description	length [mm]	total height [mm]	length [in]	total height [in]	EDP- No. 010...	EAN- code 4001990...	kg/unit	units/pallet
MD	MEADRAIN EN 1001	1000	150-155	39.37	5.91-6.10	157207	047132	16,60	45
MD	MEADRAIN EN 1002	1000	155-160	39.37	6.10-6.30	157209	047149	17,10	45
MD	MEADRAIN EN 1003	1000	160-165	39.37	6.30-6.50	157211	047156	17,00	45
MD	MEADRAIN EN 1004	1000	165-170	39.37	6.50-6.69	157213	047163	17,70	45
MD	MEADRAIN EN 1005 ¹⁾	1000	170-175	39.37	6.69-6.89	157215	047170	17,80	45
MD	MEADRAIN EN 1005/A ²⁾	1000	170-175	39.37	6.69-6.89	157217	047187	18,10	20
MD	MEADRAIN EN 1006	1000	175-180	39.37	6.89-7.09	157225	047194	18,20	36
MD	MEADRAIN EN 1007	1000	180-185	39.37	7.09-7.28	157227	047200	18,30	36
MD	MEADRAIN EN 1008	1000	185-190	39.37	7.28-7.48	157229	047217	19,20	36
MD	MEADRAIN EN 1009	1000	190-195	39.37	7.48-7.68	157231	047224	19,10	36
MD	MEADRAIN EN 1010 ¹⁾	1000	195-200	39.37	7.68-7.87	157233	047231	19,50	36
MD	MEADRAIN EN 1010/A ²⁾	1000	195-200	39.37	7.68-7.87	157235	047248	21,10	20
MD	MEADRAIN EN 1011	1000	200-205	39.37	7.87-8.07	157243	047255	19,60	36
MD	MEADRAIN EN 1012	1000	205-210	39.37	8.07-8.27	157245	047262	19,70	36
MD	MEADRAIN EN 1013	1000	210-215	39.37	8.27-8.46	157247	047279	20,50	36
MD	MEADRAIN EN 1014	1000	215-220	39.37	8.46-8.66	157249	047286	20,90	36
MD	MEADRAIN EN 1015 ¹⁾	1000	220-225	39.37	8.66-8.86	157251	047293	21,20	36
MD	MEADRAIN EN 1015/A ²⁾	1000	220-225	39.37	8.66-8.86	157253	047309	23,10	20
MD	MEADRAIN EN 1016	1000	225-230	39.37	8.86-9.06	157261	047316	21,30	36
MD	MEADRAIN EN 1017	1000	230-235	39.37	9.06-9.25	157263	047323	22,10	36
MD	MEADRAIN EN 1018	1000	235-240	39.37	9.25-9.45	157265	047330	22,60	36
MD	MEADRAIN EN 1019	1000	240-245	39.37	9.45-9.65	157267	047347	22,70	36
MD	MEADRAIN EN 1020 ¹⁾	1000	245-250	39.37	9.65-9.84	157269	047354	23,00	27
MD	MEADRAIN EN 1020/A ²⁾	1000	245-250	39.37	9.65-9.84	157271	047361	25,10	20

1) With connection facility for vertical discharge outlet connector Ø 110mm or siltbox/gully.

2) With integrated HD-PE outlet connector Ø 110mm and NBR-O sealing ring.

Remark

* From loading class D400 not suitable for cross drainage of high speed roads and motorways. Toll Free # 877 385 5130
www.northstarindustries.ca