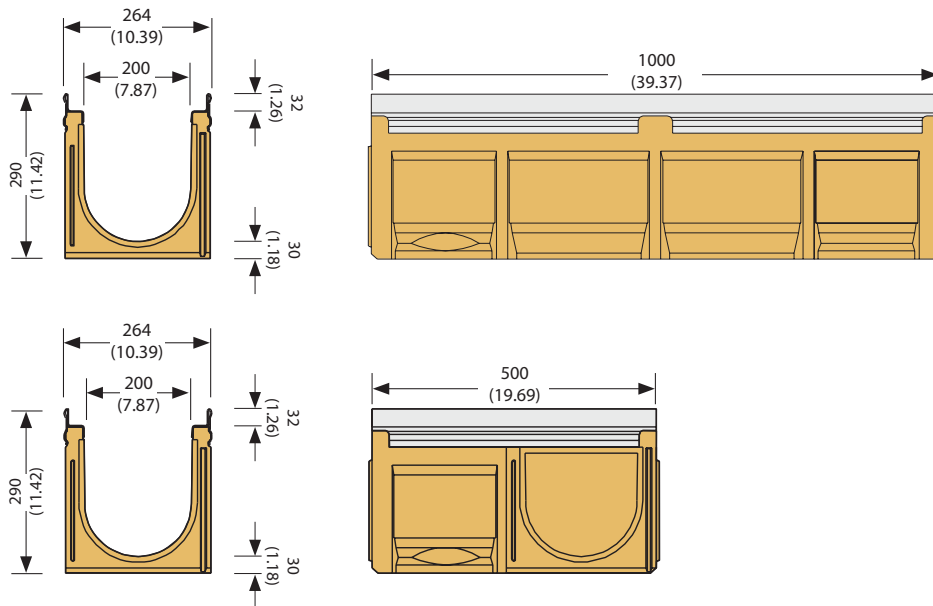


## Technical Data Sheet

ANRIN DRAIN Reinforced Edge Channels KE-200  
with Galvanized Steel Edge Rail (Loading Class A15 to E600)



## Channel Dimensions



## Material Properties

### Channel Body

- Polymer concrete with polyester resin
- Compression resistance: > 90 N/mm<sup>2</sup>
- Flexural strength: > 22 N/mm<sup>2</sup>
- Water absorption: < 0.05%
- Density: 2.1 - 2.3 kg/dm<sup>3</sup>
- Modulus of elasticity: 25 - 35 kN/mm<sup>2</sup>
- Water penetration level: 0 mm
- Material structure: Capillary free

### Edge Rail

- Galvanized steel, factory-installed
- Profile thickness 6 mm

### Grating

- Galvanized steel
- 304 Stainless steel
- Ductile iron
- Iron Age Patterned Profiles
- Custom grates available upon request

## Description and Sizes

- Designed in accordance with DIN 19580 / EN 1433.
- Drainage channel made of polymer concrete.
- Integrated galvanized steel edge rails.
- Half-meter channel with knockout patterns for T-junctions, elbow joints, cross junctions.
- UNILINK joint system, elements of equal installation heights can be joined in any direction.
- For installation of ANRIN DRAIN KE-150 gratings with SnapLock fastening.
- Fall type: No Slope
- Loading classes: A 15 to E 600
- Total height: 290 mm
- Total width: 264 mm
- Length: 500 mm and 1000 mm

Every reasonable effort has been taken to ensure the accuracy of this document. However, we cannot accept responsibility for inaccuracies resulting from undetected errors or omissions.

Toll Free: 877-385-5130  
www.northstarindustries.ca

**Channel types - KE-200 with galvanised steel edge rail**

Article no.	EAN	Designation	Slope %	Length cm	Width cm	Height cm	Weight kg
01120000	4026857011705	KE-200 Channel No. 0*	0	100	26.4	29	43
01120020	4026857011712	KE-200 Channel No. 0R***	0	100	26.4	29	43
01120050	4026857011729	KE-200 Channel No. 005**/**	0	50	26.4	29	24.9
01121000	4026857023548	KE-200 Channel No. 010	0	100	26.4	34	38
01124000	4026857018179	KE-200 Channel No. 200P****	0	100	26.4	13	22.2
01124010	4026857018186	KE-200 Channel No. 200PR*****	0	100	26.4	13	22.2
01120240	4026857032212	KE-200 Channel No. 0240	0	100	26.4	24	31

\* Channel with mouldings for vertical outlet DA/OD 160

\*\* Channel with sidewise perforations for the connection of t-junctions, elbow joints and cross- over joints and vertical outlet

\*\*\* Channel with vertical pipe socket DA/OD 160

\*\*\*\* Channel with mouldings for vertical outlet DA/OD 110

\*\*\*\*\* Channel with vertical pipe socket DA/OD 110