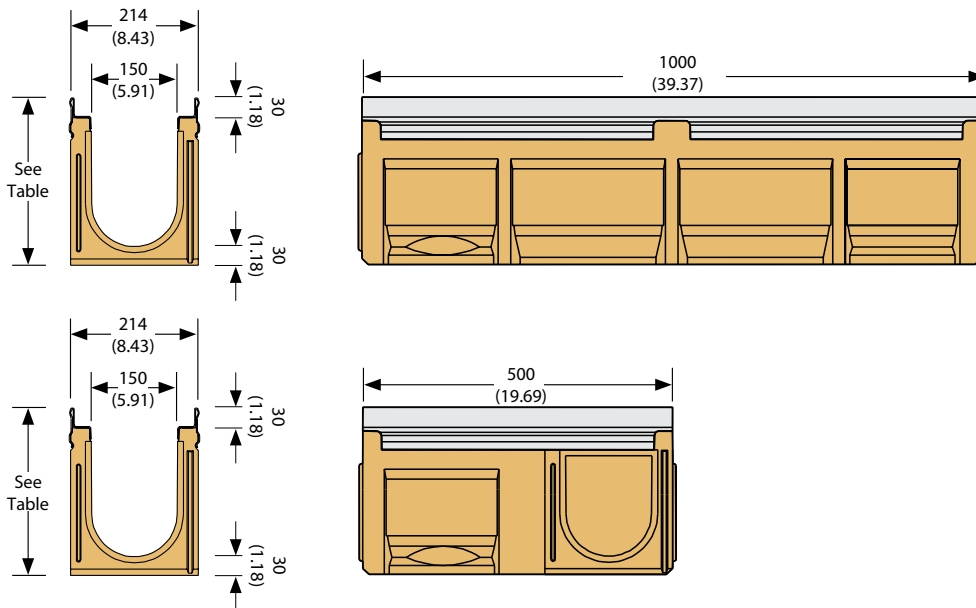


Technical Data Sheet

ANRIN DRAIN Reinforced Edge Channels KE-150S
with **Stainless Steel Edge Rail** (Loading Class C250 to E600)



Channel Dimensions



Material Properties

Channel Body

- Polymer concrete with polyester resin
- Compression resistance: > 90 N/mm²
- Flexural strength: > 22 N/mm²
- Water absorption: < 0.05%
- Density: 2.1 - 2.3 kg/dm³
- Modulus of elasticity: 25 - 35 kN/mm²
- Water penetration level: 0 mm
- Material structure: Capillary free

Edge Rail

- Stainless Steel, factory-installed
- Profile thickness 6 mm

Grating

- Galvanized steel
- Stainless steel
- Ductile iron
- Iron Age Patterned Profiles
- Custom grates available upon request

Description and Sizes

- Designed in accordance with DIN 19580 / EN 1433.
- Drainage channel made of polymer concrete.
- Integrated stainless steel edge rails.
- Half-meter channel with knockout patterns for T-junctions, elbow joints, cross junctions.
- UNILINK joint system, elements of equal installation heights can be joined in any direction.
- For installation of ANRIN DRAIN KE-150 gratings with SnapLock fastening.
- Fall type: Built-in slope (0.5%)
- Loading classes: C 250 to E 600
- Total height: 220 – 320 mm (see table)
- Total width: 214 mm
- Length: 500 mm and 1000 mm

Every reasonable effort has been taken to ensure the accuracy of this document. However, we cannot accept responsibility for inaccuracies resulting from undetected errors or omissions.

Toll Free: 877-385-5130
www.northstarindustries.ca

Technical Data Sheet

ANRIN DRAIN Reinforced Edge Channels KE-150S
with [Stainless Steel Edge Rail](#) (Loading Class C250 to E600)



Channel Parts List

Designation	Article	Slope %	Length mm (in)	Width mm (in)	Height mm (in)	Weight kg (lbs)
KE-150S-0*	01411000	0	1000 (39.37)	214 (8.43)	220-220 (8.66-8.66)	33.0 (72.75)
KE-150S-0R***	01411010	0	1000 (39.37)	214 (8.43)	220-220 (8.66-8.66)	33.0 (72.75)
KE-150S-005*/**	01411050	0	500 (19.69)	214 (8.43)	220-220 (8.66-8.66)	17.9 (39.46)
KE-150S-1*	01410010	0.5	1000 (39.37)	214 (8.43)	220-225 (8.66-8.86)	30.3 (66.80)
KE-150S-2*	01410020	0.5	1000 (39.37)	214 (8.43)	225-230 (8.86-9.06)	30.6 (67.46)
KE-150S-3*	01410030	0.5	1000 (39.37)	214 (8.43)	230-235 (9.06-9.25)	30.9 (68.12)
KE-150S-4*	01410040	0.5	1000 (39.37)	214 (8.43)	235-240 (9.25-9.45)	31.2 (68.78)
KE-150S-5*	01410050	0.5	1000 (39.37)	214 (8.43)	240-245 (9.45-9.65)	31.5 (69.45)
KE-150S-6*	01410060	0.5	1000 (39.37)	214 (8.43)	245-250 (9.65-9.84)	31.8 (70.11)
KE-150S-7*	01410070	0.5	1000 (39.37)	214 (8.43)	250-255 (9.84-10.04)	32.1 (70.77)
KE-150S-8*	01410080	0.5	1000 (39.37)	214 (8.43)	255-260 (10.04-10.24)	32.4 (71.43)
KE-150S-9*	01410090	0.5	1000 (39.37)	214 (8.43)	260-265 (10.24-10.43)	32.7 (72.09)
KE-150S-10*	01410100	0.5	1000 (39.37)	214 (8.43)	265-270 (10.43-10.33)	33.0 (72.75)
KE-150S-010*	01412000	0	1000 (39.37)	214 (8.43)	270-270 (10.33-10.33)	35.6 (78.48)
KE-150S-010R***	01412010	0	1000 (39.37)	214 (8.43)	270-270 (10.33-10.33)	36.5 (80.47)
KE-150S-0105*/**	01412050	0	500 (19.69)	214 (8.43)	270-270 (10.33-10.33)	19.0 (41.89)
KE-150S-11*	01410110	0.5	1000 (39.37)	214 (8.43)	270-275 (10.33-10.83)	35.5 (78.26)
KE-150S-12*	01410120	0.5	1000 (39.37)	214 (8.43)	275-280 (10.83-11.02)	35.8 (78.93)
KE-150S-13*	01410130	0.5	1000 (39.37)	214 (8.43)	280-285 (11.02-11.22)	36.1 (79.59)
KE-150S-14*	01410140	0.5	1000 (39.37)	214 (8.43)	285-290 (11.22-11.42)	36.4 (80.25)
KE-150S-15*	01410150	0.5	1000 (39.37)	214 (8.43)	290-295 (11.42-11.61)	36.7 (80.91)
KE-150S-16*	01410160	0.5	1000 (39.37)	214 (8.43)	295-300 (11.61-11.81)	37.0 (81.57)
KE-150S-17*	01410170	0.5	1000 (39.37)	214 (8.43)	300-305 (11.81-12.01)	37.3 (82.23)
KE-150S-18*	01410180	0.5	1000 (39.37)	214 (8.43)	305-310 (12.01-12.20)	37.6 (82.89)
KE-150S-19*	01410190	0.5	1000 (39.37)	214 (8.43)	310-315 (12.20-12.40)	37.9 (83.56)
KE-150S-20*	01410200	0.5	1000 (39.37)	214 (8.43)	315-320 (12.40-12.60)	38.2 (84.22)
KE-150S-020*	01413000	0	1000 (39.37)	214 (8.43)	320-320 (12.60-12.60)	38.6 (85.10)
KE-150S-020R***	01413010	0	1000 (39.37)	214 (8.43)	320-320 (12.60-12.60)	38.6 (85.10)
KE-150S-0205*/**	01413050	0	500 (19.69)	214 (8.43)	320-320 (12.60-12.60)	20.9 (46.08)

* Channel with mouldings for vertical outlet DA/OD 160

** Channel with side knockout pattern for the connection of t-junctions, elbow joints and cross-over joints and vertical outlet

*** Channel with vertical pipe socket DA/OD 160