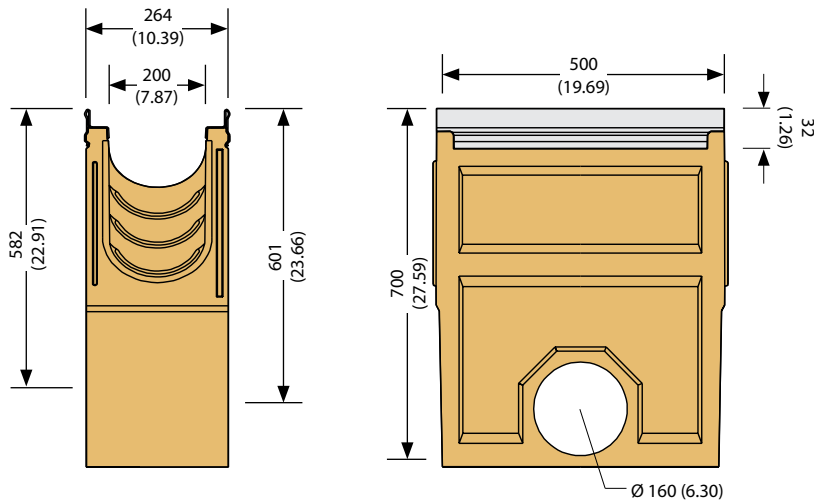


## Technical Data Sheet

ANRIN DRAIN In-Line Catch Basin for KE-200  
with Galvanized Steel Edge Rail (Loading Class A15 to E600)



### Catch Basin Dimensions



### Catch Basin Parts List

Designation	Article	Length mm (in)	Width mm (in)	Height mm (in)	Weight kg (lbs)
KE-200 Catch basin with trash bucket outlets DA/OD 160 and 200 with shaped NBR-rings	01126000	500 (19.69)	264 (10.39)	700 (27.56)	59.8 (131.83)

Every reasonable effort has been taken to ensure the accuracy of this document. However, we cannot accept responsibility for inaccuracies resulting from undetected errors or omissions.

Toll Free: 877-385-5130  
www.northstarindustries.ca